

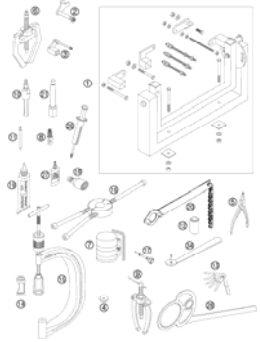
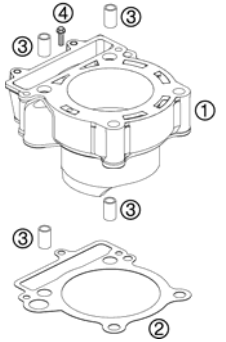
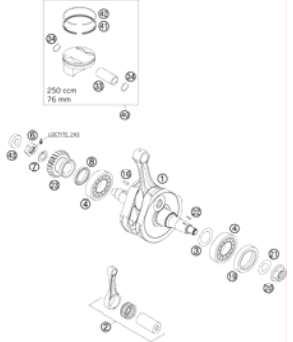
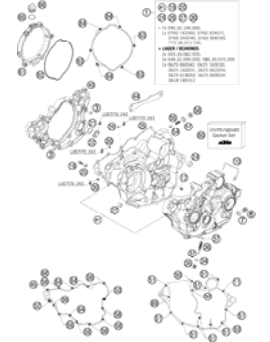

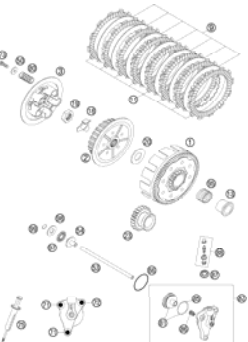

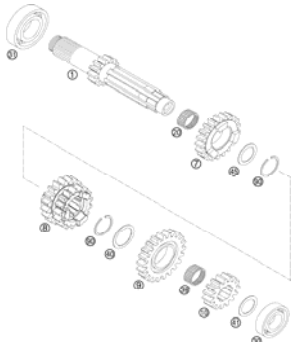
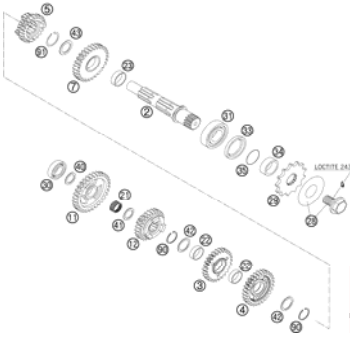
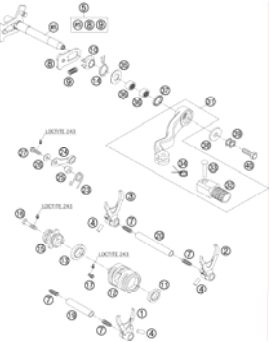
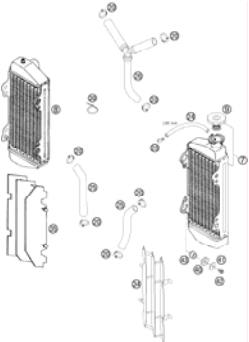
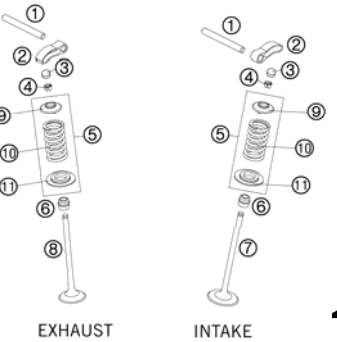
250 EXC-F 2007

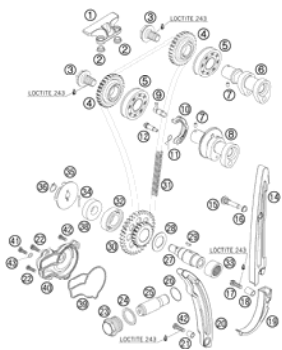
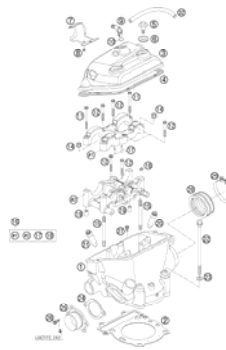
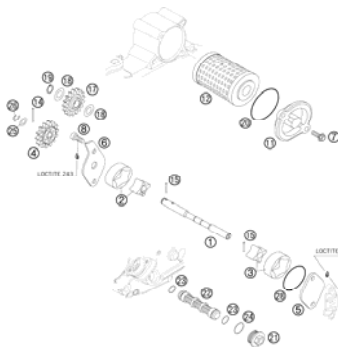
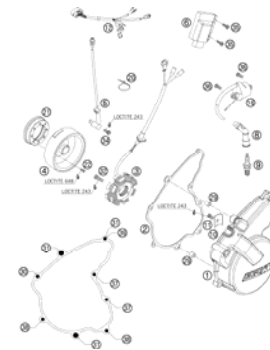
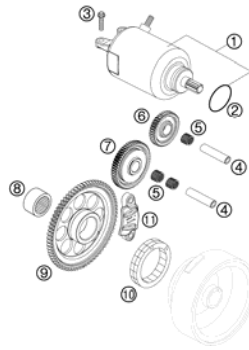
SPARE PARTS MANUAL: ENGINE

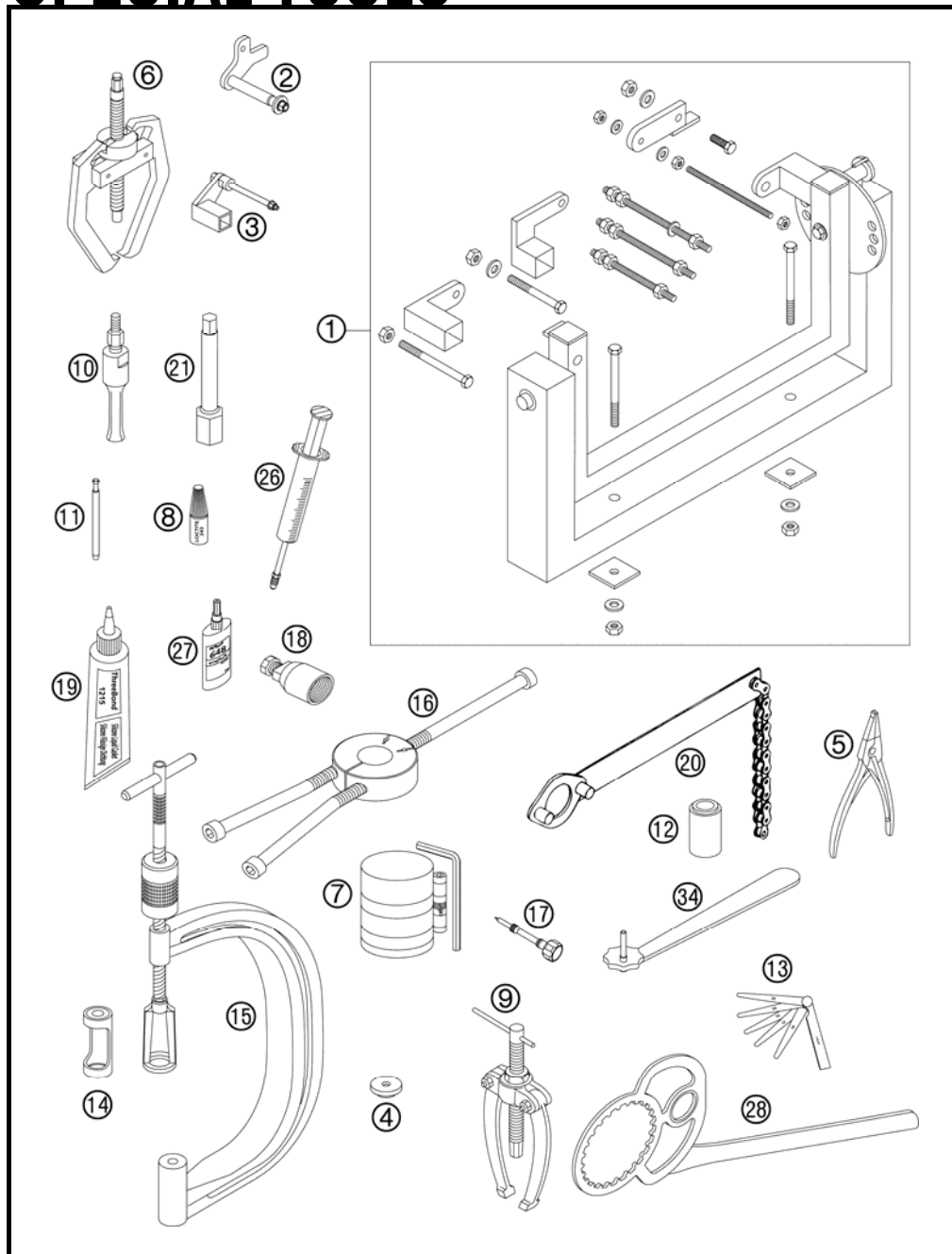
ART.NO.: 3CM089311GEN

ENGLISH



| | | | |
|--|---|--|---|
| SPECIAL TOOLS  3 | CYLINDER  4 | CRANKSHAFT, PISTON  5 | ENGINE CASE  6 |
| CARBURETOR  8 | CLUTCH  10 | KICKSTARTER  11 | TRANSMISSION I  12 |
| TRANSMISSION II  13 | SHIFTING MECHANISM  14 | COOLING SYSTEM  15 | VALVE DRIVE  EXHAUST INTAKE 16 |

| | | | |
|---|--|---|--|
| <p>TIMING VALVE</p>  <p>17</p> | <p>CYLINDER HEAD</p>  <p>19</p> | <p>LUBRICATING SYSTEM</p>  <p>20</p> | <p>IGNITION SYSTEM</p>  <p>21</p> |
| <p>ELECTRIC STARTER</p>  <p>22</p> | <div style="display: flex; align-items: center;"> <div style="background-color: #cccccc; padding: 20px; margin-right: 20px; font-size: 48px; font-weight: bold;">!</div> <div> <p>All information contained is without obligation. KTM-Sportmotorcycle AG particularly reserves the right to modify any equipment, technical specifications, prices, colors, shapes, materials, services, service work, constructions, equipment and the like so as to adapt them to local conditions or to cancel any of the above items, all without previous announcement and without giving reasons. KTM may stop manufacturing certain models without previous notice. KTM shall not be held liable for any deviations of availability and/or ability to deliver, illustrations, descriptions, printing and/or other errors. The illustrated models partly contain extra equipment, which is not applied to standard models. © 2004 by KTM-SPORTMOTORCYCLE AG, Mattighofen AUSTRIA; All rights reserved; Reprint, also in extracts, with written allowance of KTM-SPORTMOTORCYCLE AG, Mattighofen only.</p> </div> </div> | | |

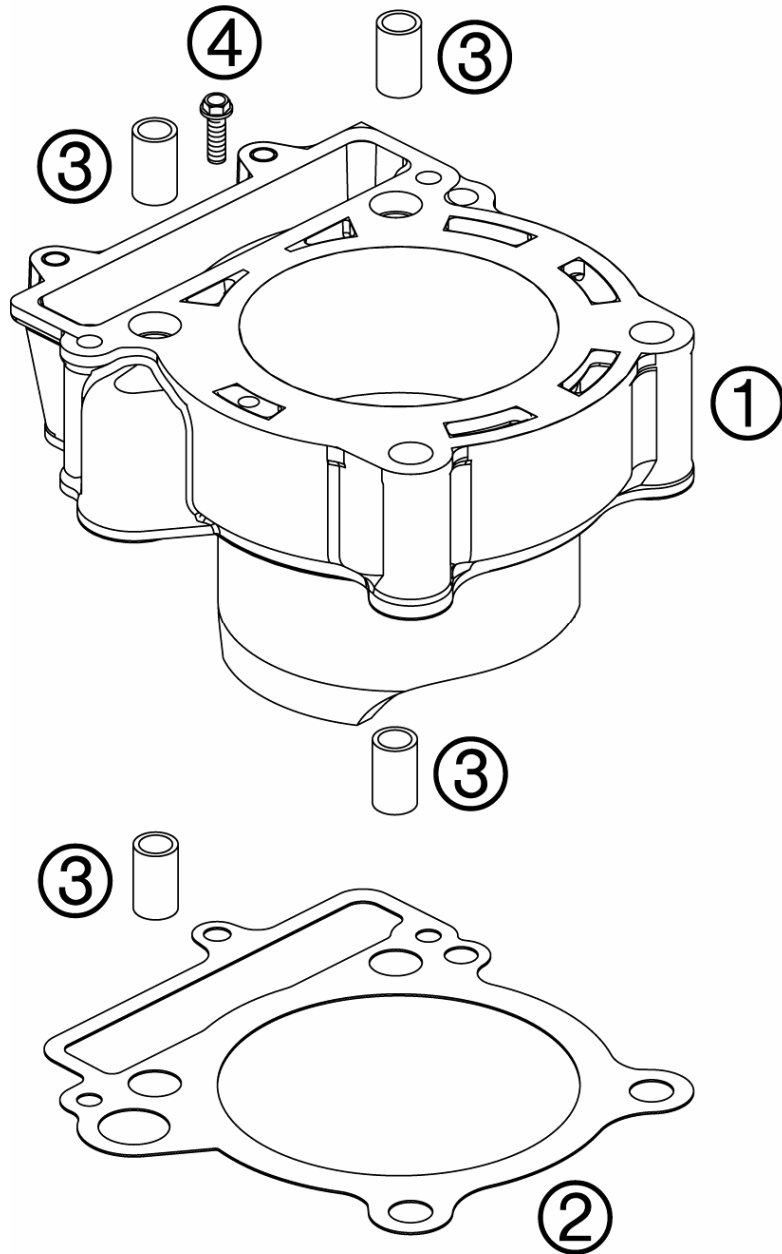


| FIG | PART NUMBER | DESCRIPTION | QTY |
|-----|-------------|--------------------------------|-----|
| 1 | 56012001000 | UNIVERSAL MOUNTING RACK '96 | 1 |
| 2 | 77029002000 | FIXING ARM FRONT | 1 |
| 3 | 77029003000 | FIXING ARM REAR | 1 |
| 4 | 77029035000 | PROTECTION CAP FOR CAMSHAFT | 1 |
| 5 | 51012011000 | SPECIAL CIRCLIP PLIER | 1 |
| 6 | 59029033000 | EXTRACTOR FOR TIMING GEAR | 1 |
| 7 | 60029015000 | PISTON RING COMPRESSOR CPL. 03 | 1 |
| 8 | 6899785 | LOCTITE 243 BLUE 6CCM | 1 |
| 9 | 15112017000 | BUSHING EXTRACTOR | 1 |
| 10 | 15112018000 | INTERN.BEAR.PULLER 12-16 MM | 1 |
| 10 | 15112018100 | INTERN.BEAR.PULLER 18-23 MM | 1 |
| 10 | 15112018200 | INTERN.BEAR.PULLER 5-7 MM | 1 |
| 11 | 77029026000 | LIMIT PLUG GAUGE F.VALVE GUIDE | 1 |
| 12 | 60029043040 | SEAL.RING PRESS PUNCH WAT.PUMP | 1 |
| 13 | 59029041000 | FEEL. GAUGE SET 10,12,15,20,25 | 1 |
| 14 | 77029041000 | INSERT FOR VALVE SPRING LEVER | 1 |
| 15 | 59029019000 | VALVE SPRING LEVER | 1 |
| 16 | 58429037037 | MOUNTING TOOL INNER RING NJ206 | 1 |
| 17 | 59031017200 | MIXT. CONTROL SCREW FACTORY 04 | 1 |
| 18 | 58012009000 | FLYWHEEL EXTRACTOR | 1 |
| 19 | 309098 | SILICON GASKET THREE-BOND | 1 |
| 20 | 51012012000 | HOLDING SPANNER FOR SPROCKET | 1 |
| 21 | 60029073000 | SPARK PLUG WRENCH 16MM 1/2INCH | 1 |
| 26 | 50329050000 | VENT INJEKTION HYDR. CLUTCH | 1 |
| 27 | 58429059000 | LOCTITE 648 GREEN 24ML | 1 |
| 28 | 50329003000 | HOLD. PLATE CLUTCH 125/200 '98 | 1 |
| 34 | 59029034000 | WRENCH F.MIXTURE CONTROL SCREW | 1 |

057702901 / C057702901

* NEW PART

X AS REQUIRED



| FIG | PART NUMBER | DESCRIPTION | QTY |
|-----|-------------|-----------------------------|-----|
| 1 | 77030005000 | CYLINDER 2005 | 1 |
| 2 | 77030035000 | CYLINDER BASE GASKET 05 | 1 |
| 3 | 58530014000 | DOWEL 10,2X12,5X10 2001 | 4 |
| 4 | 0015060253 | HH COLLAR SCREW M 6X25 WS=8 | 1 |

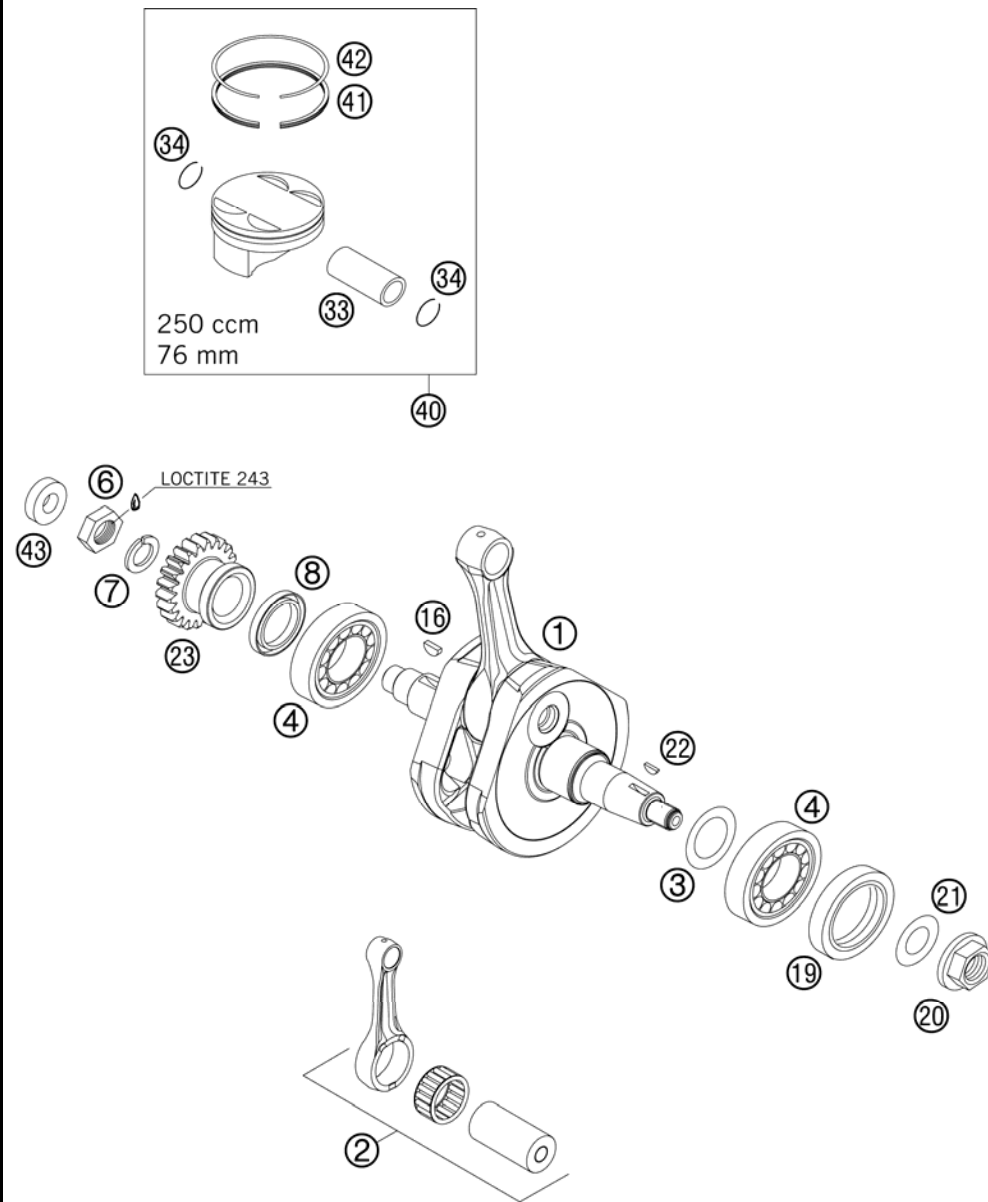
05770302 / C057703005

* NEW PART

X AS REQUIRED

CRANKSHAFT, PISTON

250 EXC-F 2007

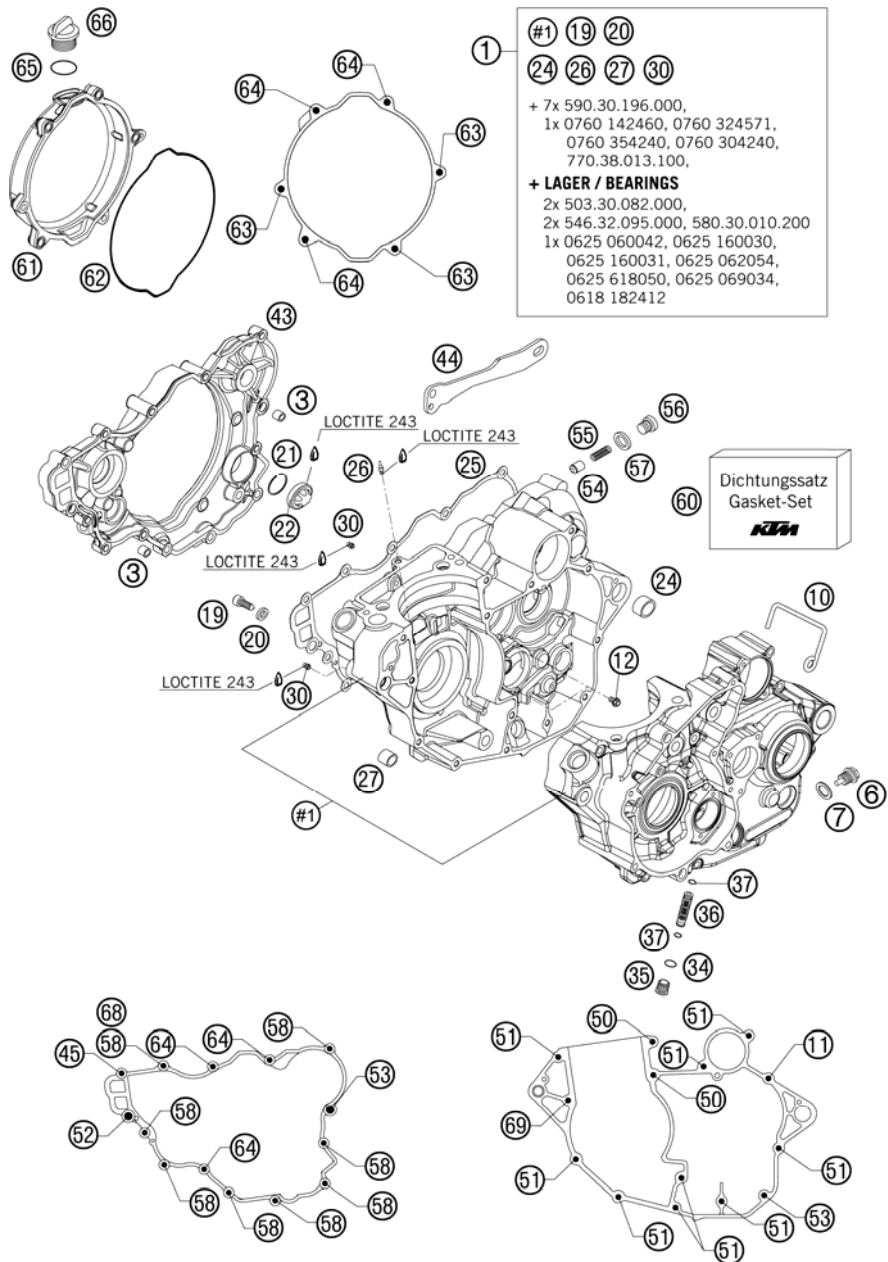


| FIG | PART NUMBER | DESCRIPTION | QTY |
|-----|----------------|--------------------------------|-----|
| 1 | 77030118000 | CRANKSHAFT CPL. EXC-F 06 | 1 |
| 2 | 77030015144 | CON. ROD REP. SET 05 | 1 |
| 3 | 56030081000 | THRUST WASHER 30,5X45X0,10 | x |
| 3 | 56030081100 | THRUST WASHER 30,7X47X0,15 | x |
| 3 | 56030081200 | THRUST WASHER 30,5X45X0,30 | x |
| 4 | 50330082000 | CYL.ROLLER BEAR.NJ206 ET2XCS46 | 2 |
| 6 | 54630029000 | HEX.NUT L/SH M18X1,5 | 1 |
| 7 | 58132072000 | LOCK WASHER VSK 18 | 1 |
| 8 | 0760354240 | SH.SEAL RING 35X42X4 B10FNIB | 1 |
| 16 | 6946005 | WOODRUFF KEY 5X6,5 HARDED | 1 |
| 19 | 0760304240 | SH. SEAL RING 30X42X4 B10F | 1 |
| 20 | 49030021000 | COLLAR NUT M12X1 R/S | 1 |
| 21 | 0137120000 | SPRING WASHER DIN0137-B12 | 1 |
| 22 | 0888030050 | WOODRUFF KEY DIN6888-3X5X13 | 1 |
| 23 | 77032000122 | PRIMARY GEAR 22T. 05 | x |
| 33 | 77030033000 | PISTON PIN BOLT D=16mm 05 | 1 |
| 34 | 77030074000 | CIRCLIP 05 | 1 |
| 40 | 77030007000 I | PISTON I CPL. 05 | 1 |
| 40 | 77030007000 II | PISTON II CPL. 05 | 1 |
| 41 | 77030032000 | OIL SCRAPER RING D=76 05 | 1 |
| 42 | 77030030000 | COMPRESSIONRING D=76 | 1 |
| 43 | 0760142460 | SHAFT SEAL RING 14X24X6 B | 1 |

067703006 / C067703006

* NEW PART

X AS REQUIRED

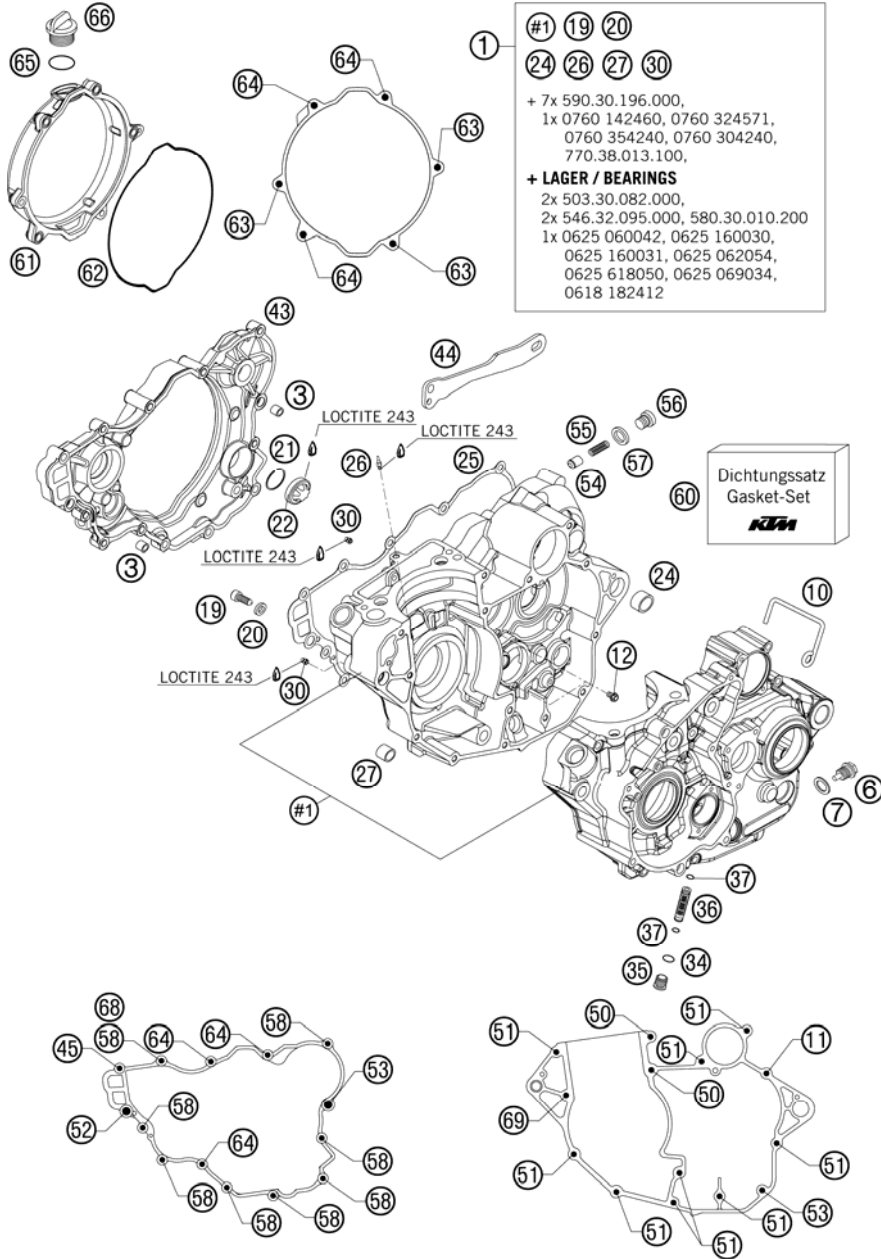


| FIG | PART NUMBER | DESCRIPTION | QTY |
|-----|-------------|--------------------------------|-----|
| 1* | 77030100144 | ENGINE CASE CPL. W.TR.BEAR. 07 | 1 |
| 3 | 49030090000 | DOWEL 9,8 X 7 X 10 | 2 |
| 6 | 58030021000 | OILDRAIN PLUG W.MAG. M 12X1,5 | 1 |
| 7 | 58038022000 | CU-SEAL RING DIN7603-12X18X1,5 | 1 |
| 10 | 77030090000 | BRACKET FOR BREATH HOSE | 1 |
| 11 | 0015060453 | HH COLLAR SCREW M 6X45 WS=8 | 1 |
| 12 | 0015060083 | HH COLLAR SCREW M 6X8 WS=8 | 2 |
| 19 | 58030080000 | LOCATING SCREW M8 L=23 | 1 |
| 20 | 58030081000 | CU-SEAL RING 8 X 14 X 3 | 1 |
| 21 | 61030019050 | CIRCLIP OIL LEVEL GLASS 03 | 1 |
| 22 | 59030019000 | OIL LEVEL GLASS G 1777 Y | 1 |
| 24 | 59030024000 | DOWEL 17 X 19 X 12 | 1 |
| 25 | 77030025100 | GASKET FOR CLUTCH COVER 05 | 1 |
| 26 | 60030064070 | OIL JET 70 M6X0,75 WS8 03 | 1 |
| 27 | 54630027000 | DOWEL BUSHING 13,8X11X12 | 1 |
| 30 | 59030058000 | JET 100 BING(44-031/180) M4 | 2 |
| 34 | 0770120020 | O-RING 12,00X2,00 NBR 70 | 1 |
| 35* | 59038014100 | PLUG M16X1,5 | 1 |
| 36 | 59038015000 | OIL SCREEN 11,8X44,5MM | 1 |
| 37 | 0770090015 | O-RING 9X1,5 NBR | 2 |
| 43* | 77030001044 | CLUTCH COVER CPL. | 1 |
| 44 | 77030047100 | CHAIN DAMPERSHEET EXC-F 07 | 1 |
| 45 | 0015060353 | HH COLLAR SCREW M 6X35 WS=8 | 1 |
| 50 | 0015060653 | HH COLLAR SCREW M 6X65 WS=8 | 2 |
| 51 | 0015060503 | HH COLLAR SCREW M 6X50 WS=8 | 9 |
| 52 | 0015060403 | HH COLLAR SCREW M 6X40 WS=8 | 1 |
| 53 | 0015060303 | HH COLLAR SCREW M 6X30 WS=8 | 2 |
| 54 | 58038028000 | VALVE PISTON D=10MM | 1 |
| 55 | 58038023300 | PRESSURE SPRING L=25MM D=1MM | 1 |
| 56 | 0908120153 | PLUG DIN0908-M12X1,5 | 1 |
| 57 | 58038022000 | CU-SEAL RING DIN7603-12X18X1,5 | 1 |
| 58 | 0015060253 | HH COLLAR SCREW M 6X25 WS=8 | 8 |
| 60 | 77030099000 | GASKET SET 05 | 1 |
| 61 | 77030026100 | CLUTCH COVER OUTSIDE 06 | 1 |
| 62 | 77030027000 | MOLDED RING 05 | 1 |
| 63 | 0015060253 | HH COLLAR SCREW M 6X25 WS=8 | 3 |

077703005 / C077703005

* NEW PART

X AS REQUIRED



| FIG | PART NUMBER | DESCRIPTION | QTY |
|-----|-------------|-----------------------------|-----|
| 64 | 0015060553 | HH COLLAR SCREW M 6X55 WS=8 | 6 |
| 65 | 0770191015 | O-RING 19,00X3,00 NBR | 1 |
| 66 | 58030020000 | PLUG M 24X3 | 1 |
| 68 | 0603061001 | CU-SEAL RING DIN7603-6X10X1 | 1 |
| 69 | 0015060603 | HH COLLAR SCREW M 6X60 WS=8 | 1 |

077703005 / C077703005

* NEW PART

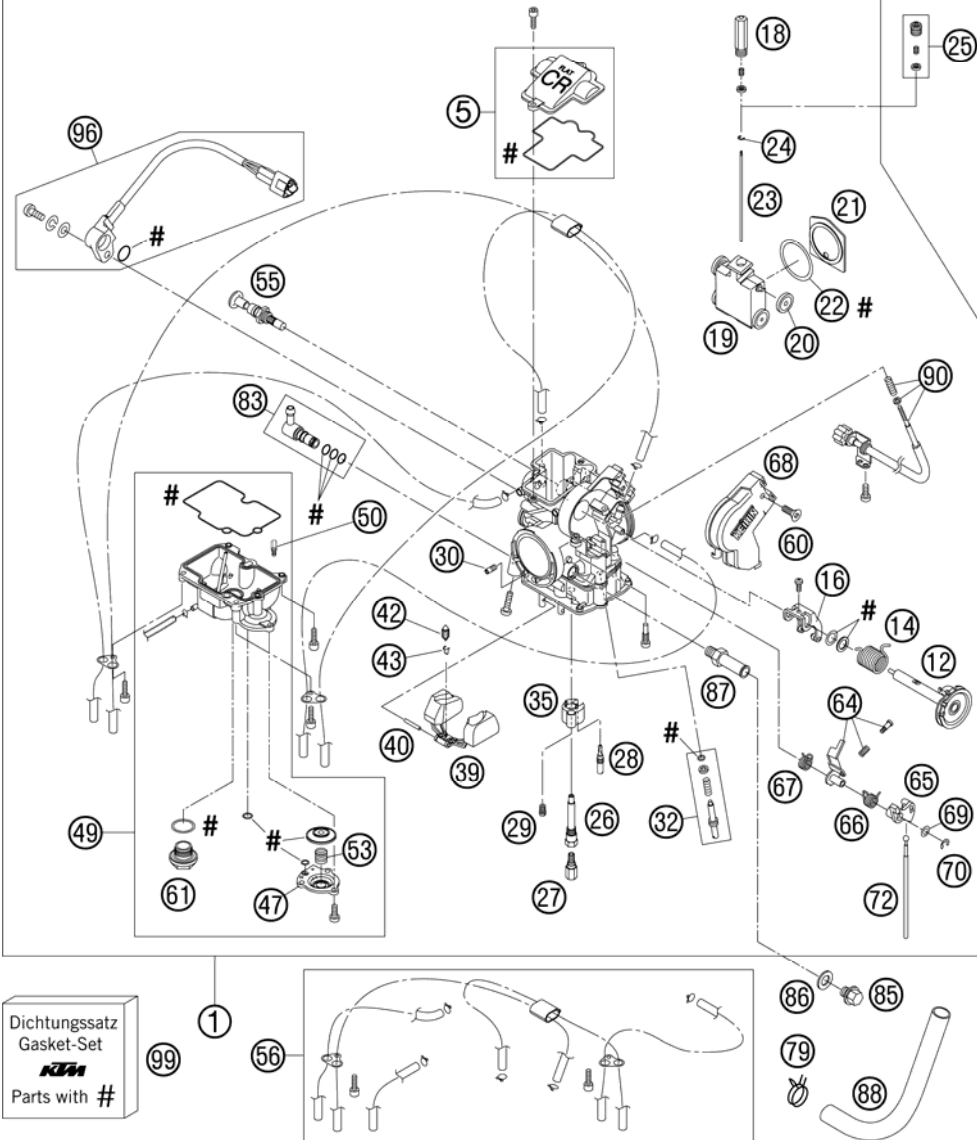
X AS REQUIRED

CARBURETOR

250 EXC-F 2007

ACHTUNG !!!
Vor dem Einbau des Vergasers,
Bedüsung kontrollieren.

CAUTION !!!
Before mounting the carburetor,
check the jetting.



| FIG | PART NUMBER | DESCRIPTION | QTY |
|-----|-------------|--------------------------------|-----|
| 1 | 77031001100 | CARBURETOR FCR-MX 3900G,TPS 06 | 1 |
| 5 | 57331027044 | CARBURETOR COVER WITH GASKET | 1 |
| 12 | 57331046100 | THROTTLE SHAFT CPL. 06 | 1 |
| 14 | 57331046050 | COIL SPRING THROTTLE SHAFT | 1 |
| 16 | 57331035051 | LINK ARM THROTTLE VALVE CPL. | 1 |
| 18 | 59031029010 | SLIDE STOP 03 | 1 |
| 19 | 57331035000 | THROTTLE VALVE CPL. | 1 |
| 20 | 59031035050 | BUSHING THROTTLE VALVE | 4 |
| 21 | 57331035153 | GASKET PLATE THROTTLE VALVE 04 | 1 |
| 22 | 59031035052 | GASKET WASHER THROTTLE VALVE | 1 |
| 23 | 57331034500 | JET NEEDLE KEIHIN OBEKT | 1 |
| 23 | 59031034100 | JET NEEDLE KEIHIN OBETP | x |
| 23 | 59031034200 | JET NEEDLE KEIHIN OBETN | x |
| 23 | 59031034300 | JET NEEDLE KEIHIN OBETQ | x |
| 24 | 59031029000 | BAR CLIP | 1 |
| 25 | 57331032000 | NEEDLE SET SCREW CPL. | 1 |
| 26 | 59031121000 | NEEDLE JET FCR-MX | 1 |
| 27 | 54531623160 | MAIN JET 160 KEIHIN | x |
| 27 | 54531623162 | MAIN JET 162 KEIHIN | x |
| 27 | 54531623165 | MAIN JET 165 KEIHIN | x |
| 27 | 54531623168 | MAIN JET 168 KEIHIN | 1 |
| 27 | 54531623170 | MAIN JET 170 KEIHIN | x |
| 27 | 54531623172 | MAIN JET 172 KEIHIN | x |
| 27 | 54531623175 | MAIN JET 175 KEIHIN | x |
| 27 | 54531623178 | MAIN JET 178 KEIHIN | x |
| 28 | 54531607038 | IDLE JET 38 KEIHIN | x |
| 28 | 54531607040 | IDLE JET 40 KEIHIN | 1 |
| 28 | 54531607042 | IDLE JET 42 KEIHIN | x |
| 29 | 59031051085 | STARTER JET 85 | 1 |
| 30 | 57331107100 | IDLE AIR JET 100 KEIHIN | 1 |
| 32 | 59031017100 | ADJUST SCREW CPL. FCR-MX | 1 |
| 35 | 57331085000 | BUFFER PLATE | 1 |
| 39 | 57331009000 | FLOAT CPL. | 1 |
| 40 | 57331008000 | ARM PIN FLOAT | 1 |
| 42 | 54631220000 | FLOAT NEEDLE | 1 |
| 43 | 54531621000 | CLAMP | 1 |

077703105 / C077703105

* NEW PART

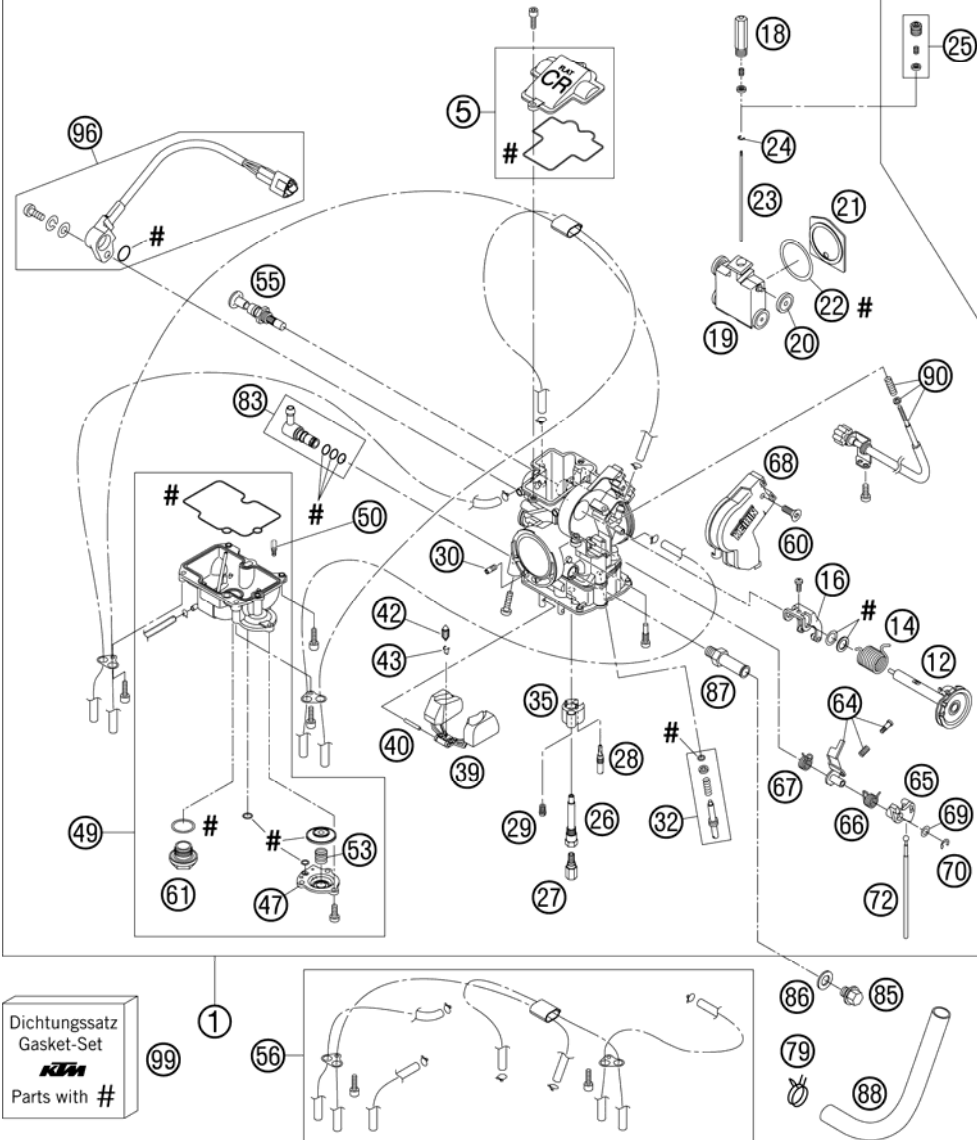
X AS REQUIRED

CARBURETOR

250 EXC-F 2007

ACHTUNG !!!
Vor dem Einbau des Vergasers,
Bedüsung kontrollieren.

CAUTION !!!
Before mounting the carburetor,
check the jetting.

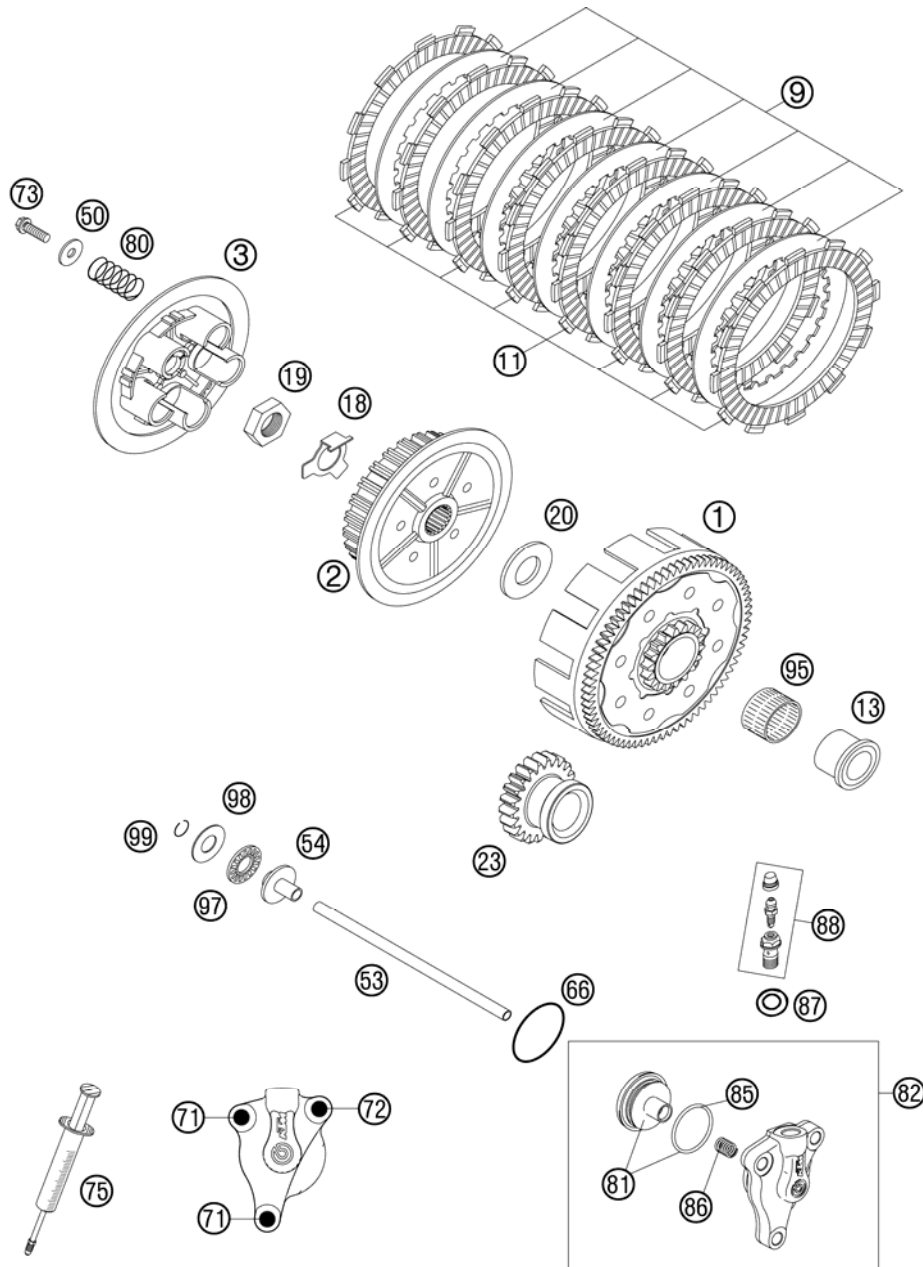


| FIG | PART NUMBER | DESCRIPTION | QTY |
|-----|-------------|--------------------------------|-----|
| 47 | 5733106000 | COVER ACCELERATOR PUMP | 1 |
| 49 | 77031011000 | FLOAT CHAMBER CPL. | 1 |
| 50* | 54631085000 | JET POWER JET CLOSED KEIHIN | x |
| 50 | 54631085050 | JET POWER JET 50 KEIHIN | x |
| 50 | 54631085060 | JET POWER JET 60 KEIHIN | x |
| 50 | 54631085070 | JET POWER JET 70 KEIHIN | 1 |
| 53 | 59031059000 | COIL SPRING | 1 |
| 55 | 57331048000 | STARTER VALVE CPL. | 1 |
| 56 | 57331098000 | BREATH.HOSE FCR-MX KEIHIN CPL. | 1 |
| 60 | 0965050103 | FLAT HEAD SCREW DIN0965-M 5X10 | 1 |
| 61 | 54531699000 | PLUG M 18X1 | 1 |
| 64 | 57331062000 | INTERMEDIATE LEVER CPL. | 1 |
| 65 | 57331056000 | LINK LEVER | 1 |
| 66 | 57331059000 | SPRING LINK LEVER | 1 |
| 67 | 57331159000 | SPRING INTERMEDIATE LEVER | 1 |
| 68 | 57331038200 | CARBURETOR COVER 06 | 1 |
| 69 | 57331087000 | WASHER LINK LEVER | 1 |
| 70 | 57331084000 | E-CLIP | 1 |
| 72 | 57331061000 | ROD ACCELERATOR PUMP | 1 |
| 79 | 58431082100 | YDNAC-CLAMP 10173 (16MM) '98 | 1 |
| 83 | 59031013044 | HOSE CONNECTOR CPL. | 1 |
| 85 | 0910100003 | PLUG DIN0910-M 10X1 | 1 |
| 86 | 0603100141 | COPPER GASKET DIN7603-10X14X1 | 1 |
| 87 | 59031040300 | HOSE CONNECTOR KEIHIN | 1 |
| 88 | 77031050000 | ENGINE BREATHER TUBE | 1 |
| 90 | 57331025000 | STOP SCREW CPL. FCR-MX | 1 |
| 96 | 59031077200 | TPS-SENSOR FCRMX 190MM 2006 | 1 |
| 99 | 57331099000 | GASKET SET FCR-MX KEIHIN | 1 |

077703105 / C077703105

* NEW PART

X AS REQUIRED

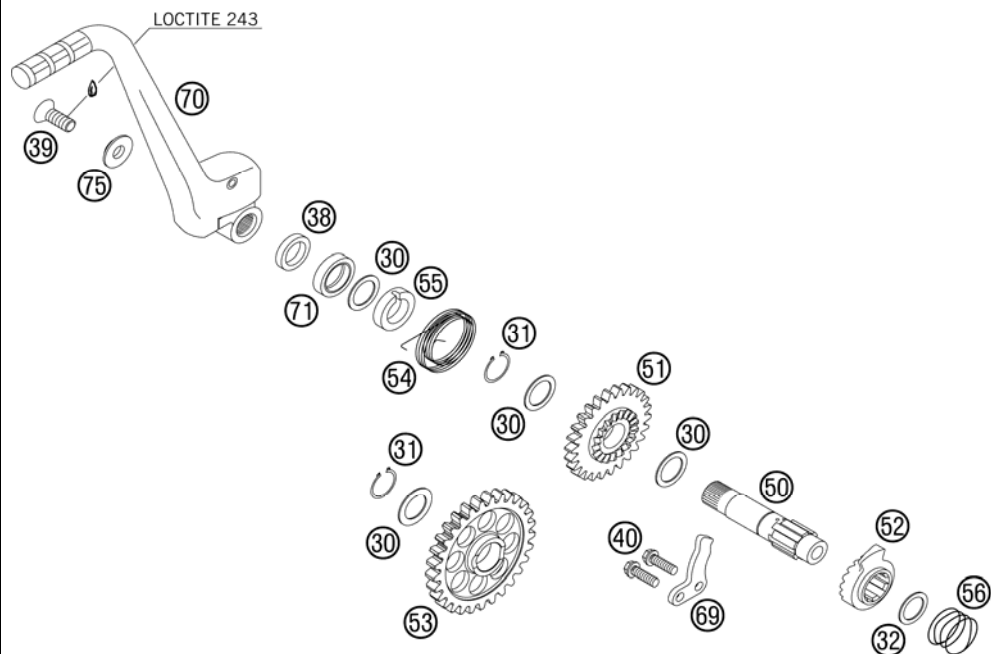


| FIG | PART NUMBER | DESCRIPTION | QTY |
|-----|-------------|--------------------------------|-----|
| 1 | 77032001000 | OUTER CLUTCH CPL. 05 | 1 |
| 2 | 77032002000 | INNER CLUTCH HUB 05 | 1 |
| 3 | 77032003000 | PRESSURE PLATE 05 | 1 |
| 9 | 77032010000 | INTERMEDI. DISC STEEL 05 | 7 |
| 11 | 77032011000 | LINING DISC 3,0MM 05 | 8 |
| 13 | 50332013000 | INNER RING 20X26X25,9 '98 | 1 |
| 18 | 50332018000 | SHEET METAL LOCK 1,5MM '98 | 1 |
| 19 | 0936181505 | HEXAGON NUT DIN0936-M18X1,5 R. | 1 |
| 20 | 50332020000 | STOP DISK 20X39,6X3 '98 | 1 |
| 23 | 77032000122 | PRIMARY GEAR 22T. 05 | 1 |
| 50 | 50232050000 | WASHER 6,2X18X2 | 5 |
| 53 | 77032054000 | PUSH ROD 05 | 1 |
| 54 | 50332054051 | PRESSURE PIECE 125-380 '98 | 1 |
| 66 | 0770300015 | O-RING 30,00X1,50 NBR 70 | 1 |
| 71 | 0015060203 | HH COLLAR SCREW M 6X20 WS=8 | 2 |
| 72 | 0015060353 | HH COLLAR SCREW M 6X35 WS=8 | 1 |
| 73 | 0015060253 | HH COLLAR SCREW M 6X25 WS=8 | 5 |
| 75 | 50329050000 | VENT INJEKTION HYDR. CLUTCH | 1 |
| 80 | 77032005000 | CLUTCH SPRING | 5 |
| 81 | 54832066000 | PISTON CPL. | 1 |
| 82 | 54832061044 | OUTPUT CYLINDER CPL. 06 | 1 |
| 85 | 54832067000 | O-RING | 1 |
| 86 | 54832069000 | PRESSURE SPRING | 1 |
| 87 | 42013226000 | CU-SEAL RING DIN7603-10X16X1 | 1 |
| 88 | 54813020000 | BLEEDER HOLLOW SCREW M10X1 | 1 |
| 95 | 56532095000 | NEEDLE BEARING K26X30X22ZW.KSE | 1 |
| 97 | 54637097200 | AXIAL NEEDLE BEARING AXK 1226 | 1 |
| 98 | 54637098200 | AXIAL WASHER AS1226 12X26X1 | 1 |
| 99 | 0993012000 | CIRCLIP DIN7993-RW12 | 1 |

067703205 / C067703205

* NEW PART

X AS REQUIRED

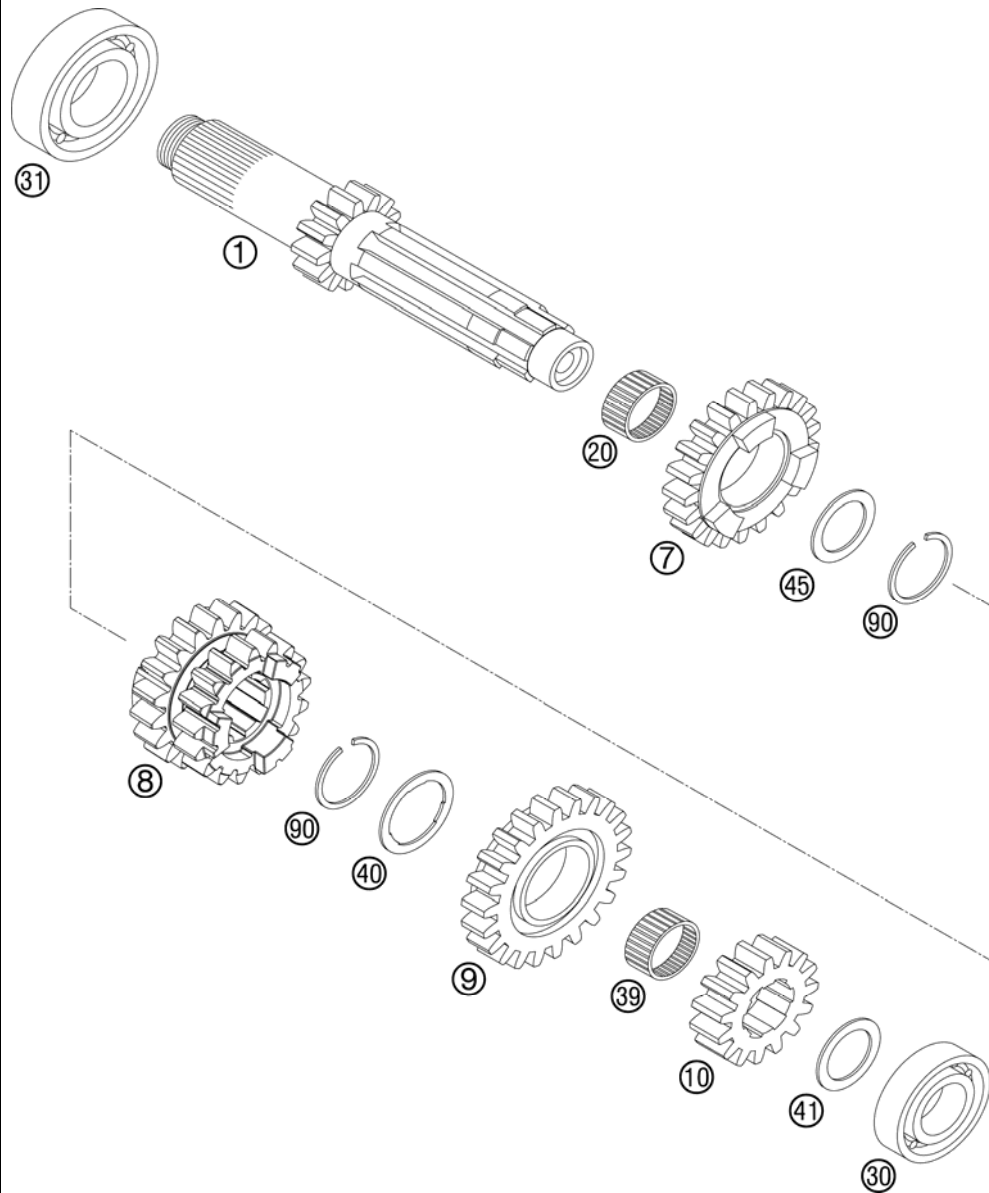


| FIG | PART NUMBER | DESCRIPTION | QTY |
|-----|-------------|-------------------------------|-----|
| 30 | 50333030000 | STOP DISK 17,2X24X1 | 4 |
| 31 | 0471170010 | CIRCLIP DIN0471-17X1 | 2 |
| 32 | 0988162210 | THRUST WASHER DIN0988-16X22X1 | 1 |
| 38 | 50333038100 | SPACER BUSHING 16X23X26X6,1 | 1 |
| 39 | 54610052000 | SPROCKET SCREW-AH M8X20 WS=6 | 1 |
| 40 | 0015060163 | HH COLLAR SCREW M 6X16 WS=8 | 2 |
| 50 | 77033050000 | KICKSTARTER SHAFT 05 | 1 |
| 51 | 77033051000 | KICKSTART. GEAR 28-T 05 | 1 |
| 52 | 50333052000 | KICKSTARTER RATCHET | 1 |
| 53 | 77033053000 | INTERMEDIATE GEAR 05 | 1 |
| 54 | 77033054000 | KICKSTARTER SPRING 05 | 1 |
| 55 | 77033055000 | DRIVING HUB '05 | 1 |
| 56 | 50333056000 | SPRING 1,4MM '98 | 1 |
| 69 | 50333069000 | STOP MET.SHEET 4MM 125/200'98 | 1 |
| 70 | 77033070044 | KICKSTARTER CPL. 07 | 1 |
| 71 | 0760172870 | SHAFT SEAL RING 17X28X7 B | 1 |
| 75 | 54633037000 | WASHER 8MM GALVANIZED | 1 |

057703303 / C067703305

* NEW PART

X AS REQUIRED

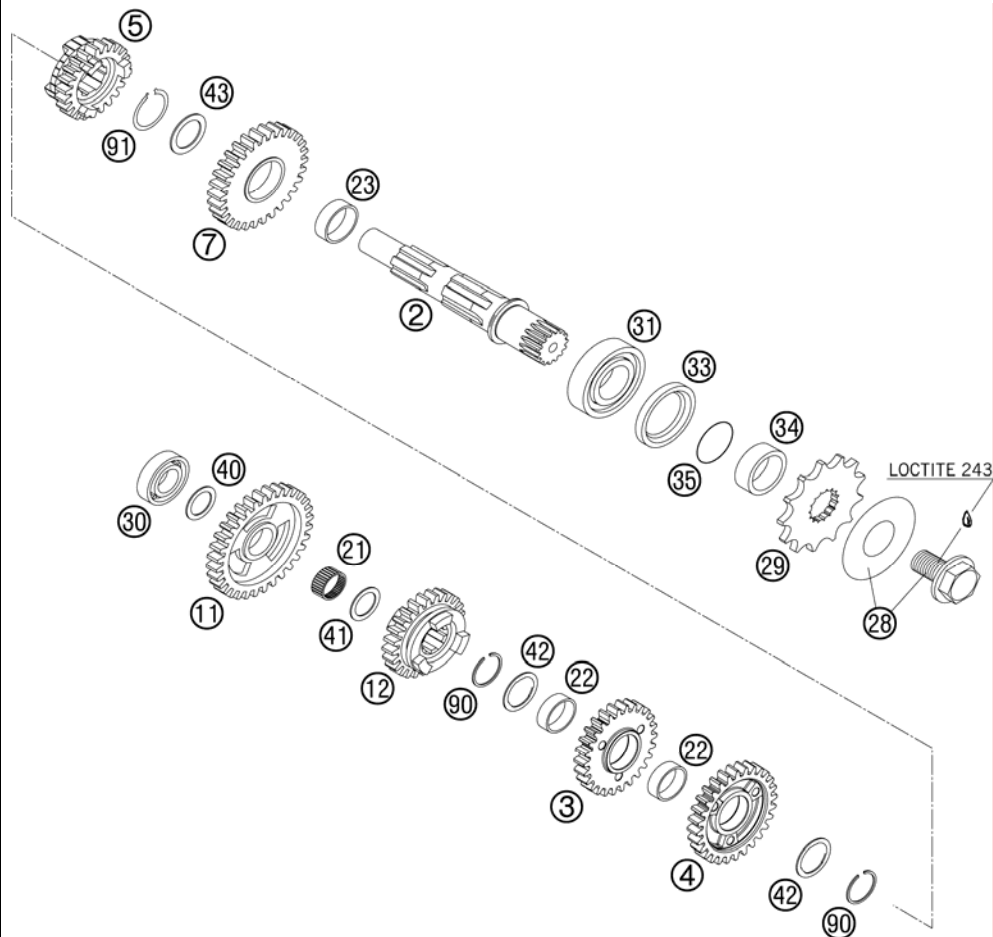


| FIG | PART NUMBER | DESCRIPTION | QTY |
|-----|-------------|--------------------------------|-----|
| 1 | 77033101000 | MAIN SHAFT CPL. Z=13 "B13" | 1 |
| 7 | 77033105000 | IDLER G. 5TH G=23 "5B23" | 1 |
| 8 | 77033103000 | SLIDING G.3/4. G19/23-T"B1923" | 1 |
| 9 | 77033106000 | IDLER G. 6TH G.26 "6B26" | 1 |
| 10 | 77033102000 | SOLID GEAR 2ND G.17-T"2B17" | 1 |
| 20 | 0405222611 | NEEDLE BEAR.K 22X26X10 DIVIDED | 1 |
| 30 | 0625160030 | GROOVED BALL BEARING 16003 C3 | 1 |
| 31 | 0625060042 | BALL BEARING 6004 TN9 C4 | 1 |
| 39 | 50133099000 | NEEDLE CAGE K18X22X10 PARTED | 1 |
| 40 | 77033021000 | STOP DISC 05 | 1 |
| 41 | 50333030000 | STOP DISK 17,2X24X1 | 1 |
| 45 | 77033020000 | STOP GEAR 22X28.5X1 05 | 1 |
| 90 | 50133090000 | LOCK RING 22X1,2 | 2 |

05770331 / C067703306

* NEW PART

X AS REQUIRED



| FIG | PART NUMBER | DESCRIPTION | QTY |
|-----|-------------|--------------------------------|-----|
| 2 | 77033010000 | COUNTER SHAFT 05 | 1 |
| 3 | 77033114000 | IDLER G. 4TH 6.28-T "4B28" | 1 |
| 4 | 77033113000 | IDLER G. 3RD G.29-T "3B29" | 1 |
| 5 | 77033116000 | SLIDING G. 6TH 6.22-T "6B26" | 1 |
| 7 | 77033112000 | IDLER G. 2ND 6. 33-T "2B33" | 1 |
| 11 | 77033111000 | IDLER G. 1ST G. 33-T "1B33" | 1 |
| 12 | 77033115000 | SLIDING G. 5TH G .23-T "5B23" | 1 |
| 21 | 50033098000 | NEEDLE BEARING K20X24X10 | 1 |
| 22 | 0405222611 | NEEDLE BEAR.K 22X26X10 DIVIDED | 2 |
| 23 | 50333023000 | IDLER GEAR BUSHING 25X28X9,7 D | 1 |
| 28 | 59033034044 | SCREW+SPRING WASHER | 1 |
| 29 | 50033029013 | SPROCKET 13-T | x |
| 29 | 50033029014 | SPROCKET 14-T | x |
| 29 | 50033029015 | SPROCKET 15-T | x |
| 30 | 0625060031 | BALL BEARING 6003 TN9 C4 | 1 |
| 31 | 0625062054 | BALL BEARING 6205 C3 NTN | 1 |
| 33 | 0760324571 | SHAFT SEAL RING 32X45X7 BSLNBR | 1 |
| 34 | 54633014100 | SPACER BUSHING 12MM | 1 |
| 35 | 0770230020 | O-RING 23,00X2,00 NBR70 | 1 |
| 40 | 56033030000 | STOP DISC 17,2X30X1 | 1 |
| 41 | 59033080000 | SHIM 20X32X1 | 1 |
| 42 | 50333043000 | STOP DISC 25,2X32X1 | 2 |
| 43 | 0988253510 | THRUST WASH. DIN0988-25X35X1,0 | 1 |
| 90 | 77033022000 | AXIAL-CIRCLIP 25X1,65 | 2 |
| 91 | 0471250120 | CIRCLIP DIN0471-25X1,2 | 1 |

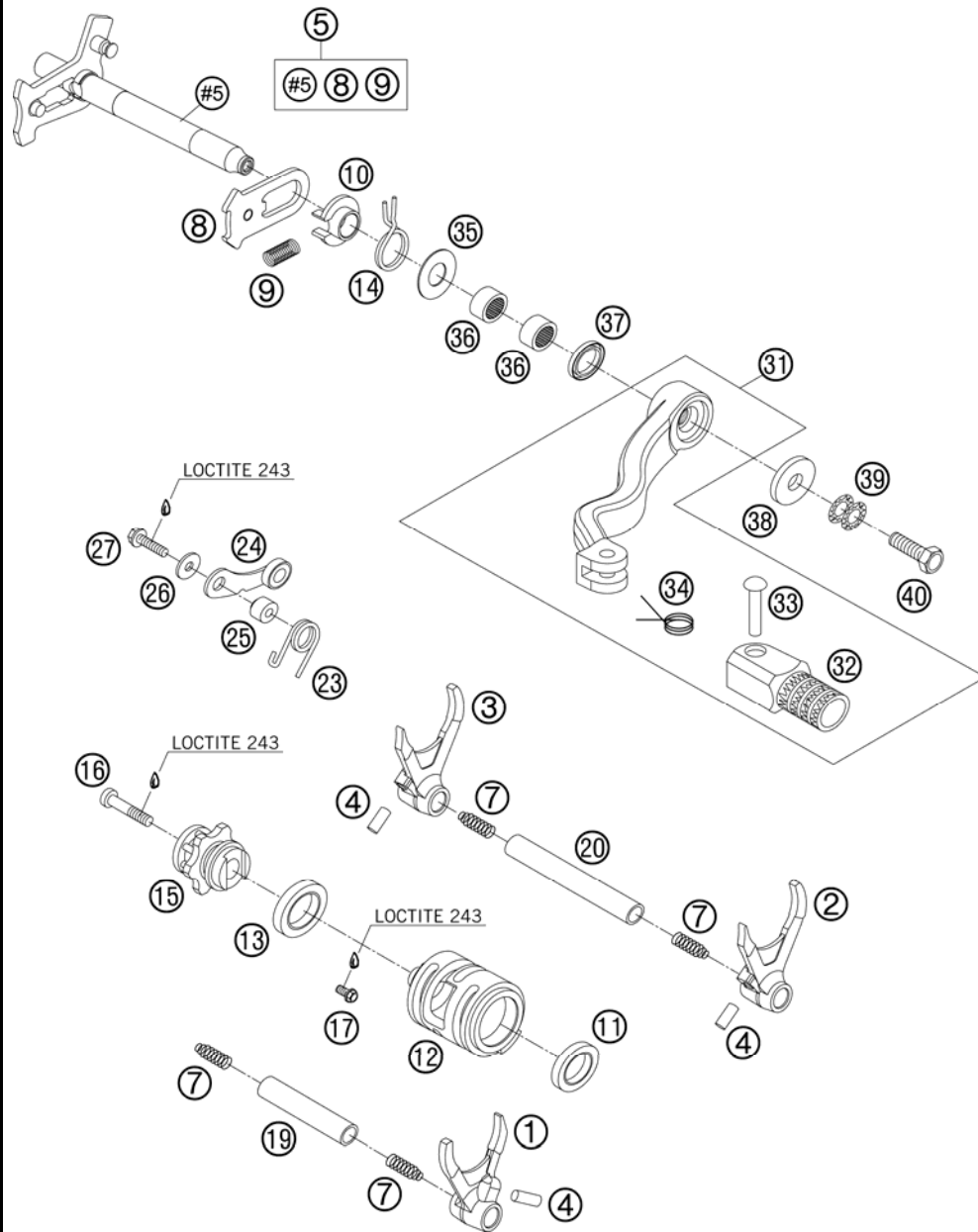
05770332 / C067703307

* NEW PART

X AS REQUIRED

SHIFTING MECHANISM

250 EXC-F 2007



| FIG | PART NUMBER | DESCRIPTION | QTY |
|-----|-------------|--------------------------------|-----|
| 1 | 77034001000 | SHIFTING FORK 5TH/6TH GEAR 05 | 1 |
| 2 | 77034002000 | SHIFTING FORK 2ND/3RD GEAR 05 | 1 |
| 3 | 77034003000 | SHIFTING FORK 1ST/4TH GEAR 05 | 1 |
| 4 | 0402061480 | NEEDLE ROLLER DIN5402 6X14,8 | 3 |
| 5 | 77034005044 | SHIFTING SHAFT CPL. 05 | 1 |
| 7 | 58038023200 | PRESSURE SPRING 0,9MM | 4 |
| 8 | 54634008044 | SLIDING PLATE CPL. | 1 |
| 9 | 56534013100 | TENSIONING SPRING 0,8MM | 1 |
| 10 | 54634020000 | SPRING GUIDE | 1 |
| 11 | 0625069034 | BALL BEARING 6903 C4 | 1 |
| 12 | 77034012000 | SHIFT ROLLER 05 | 1 |
| 13 | 0625618050 | BALL BEARING 61805 C3 | 1 |
| 14 | 54634014100 | RETURN SPRING 2,2MM '95 | 1 |
| 15 | 77034015144 | SHIFTING SHAFT CPL. 05 | 1 |
| 16 | 0984060302 | AH SCREW DIN6912 M 6X30 | 1 |
| 17 | 0015060083 | HH COLLAR SCREW M 6X8 WS=8 | 1 |
| 19 | 54834019000 | SHIFT. RAIL MAIN SHAFT 250/300 | 1 |
| 20 | 77034019000 | SHIFTING MAIN L=93MM 05 | 1 |
| 23 | 60034023000 | ARRESTING LEVER SPRING 03 | 1 |
| 24* | 77034024044 | LOCKING LEVER CPL. 08 | 1 |
| 25 | 54634052300 | SLEEVE FOR LOCKING LEVER | 1 |
| 26 | 0349000050 | WASHER DIN7349-5X15X2 | 1 |
| 27 | 0015050203 | HH COLLAR SCREW M 5X20 WS=8 | 1 |
| 31 | 54834031000 | SHIFT LEVER CPL. 250/300 05 | 1 |
| 32 | 54634131000 | STEP PLATE FOR SHIFT LEVER 250 | 1 |
| 33 | 54634031050 | BOLT 6X25 FOR SHIFT LEVER | 1 |
| 34 | 54634032100 | SHIFTING LEVER SPRING 250 | 1 |
| 35 | 54634050000 | STOP DISK 14X30X1 | 1 |
| 36 | 54632095000 | NEEDLE BEAR.HK 1412 14X20X12 | 2 |
| 37 | 0760142460 | SHAFT SEAL RING 14X24X6 B | 1 |
| 38 | 50232050001 | STEEL WASHER 6,4X17X3 | 1 |
| 39 | 50233041000 | PAIR OF WASHERS M 6 NORDLOCK | 1 |
| 40 | 59009062016 | SPECIAL SCREW M6X16 WS=8 10.9 | 1 |

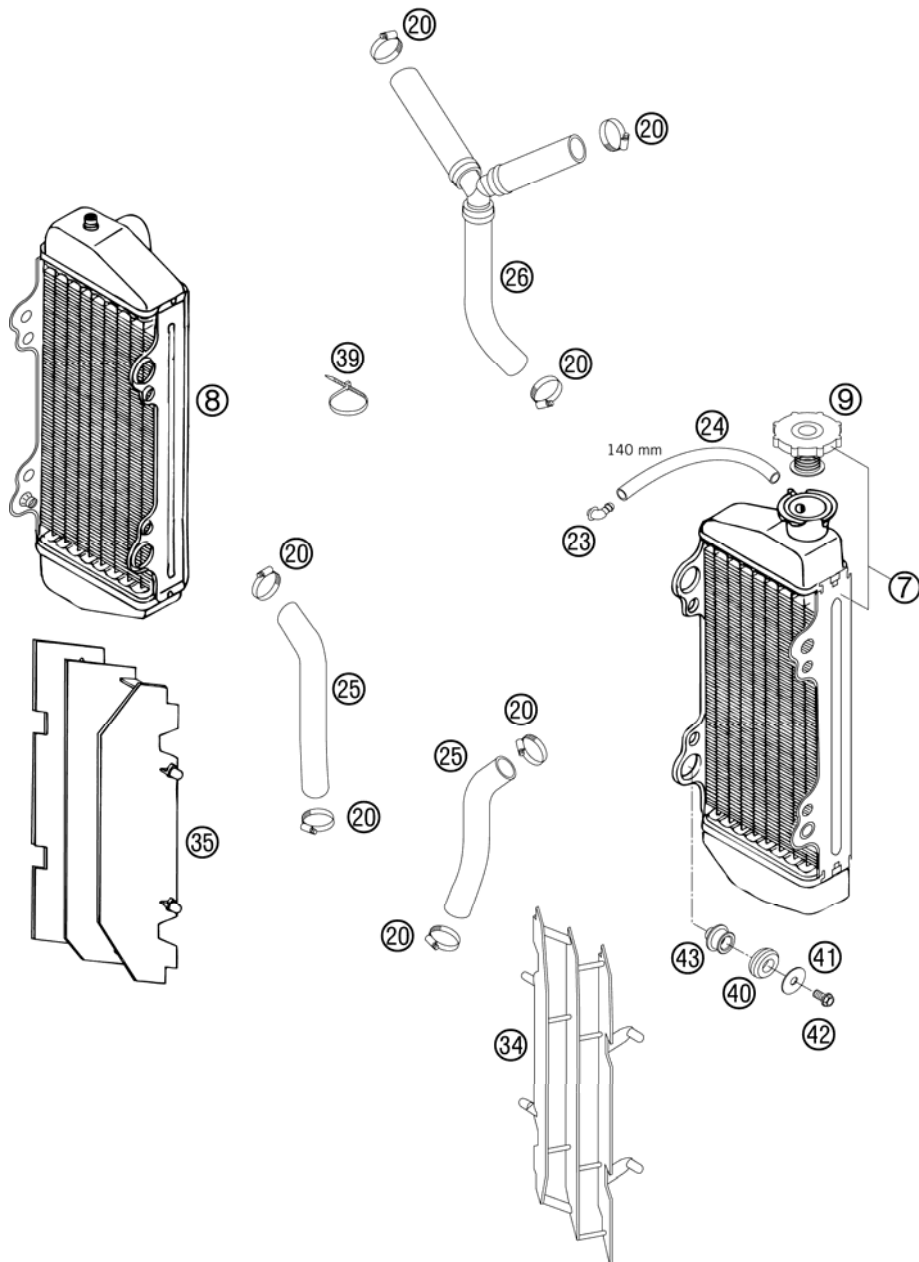
077703401 / C077703405

* NEW PART

X AS REQUIRED

COOLING SYSTEM

250 EXC-F 2007

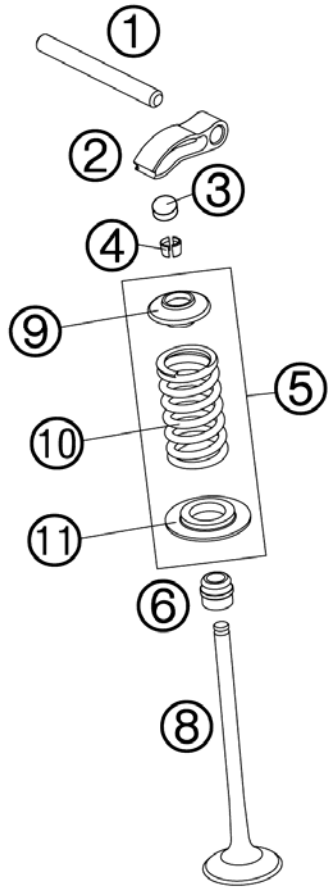


| FIG | PART NUMBER | DESCRIPTION | QTY |
|-----|---------------|--------------------------------|-----|
| 7 | 77035007000 | RADIATOR L/S 2005 | 1 |
| 8 | 77035008000 | RADIATOR R/S 2005 | 1 |
| 9 | 59035009000 | RADIAT.CAP 20,3PSI (1,4BAR) 03 | 1 |
| 20 | 10001020000 | HOSE CLAMP GEMI 16-27 | 7 |
| 23 | 50303089000 | ANGEL PIECE '97 | 1 |
| 24 | 31007107001 | PVC-HOSE 6X9 MM PER METER | x |
| 25 | 77035025000 | RADIATOR HOSE L/S 250SXF 05 | 2 |
| 26 | 77035026000 | RADIATOR HOSE WITH Y-PART 05 | 1 |
| 34 | 5463503420030 | RADIATOR PROTECTOR L. BLACK | 1 |
| 35 | 5463513420030 | RADIATOR PROTECTOR BLACK 06 | 1 |
| 39 | 44011076200 | CABLE TIE 200/3,6MM BLACK | x |
| 40 | 41001052000 | RUBBER SLEEVE D=12MM | 4 |
| 41 | 0021060003 | WASHER DIN9021-A 6,4 | 4 |
| 42 | 0015060253 | HH COLLAR SCREW M 6X25 WS=8 | 4 |
| 43 | 77035002100 | SPACER BUSHING | 4 |

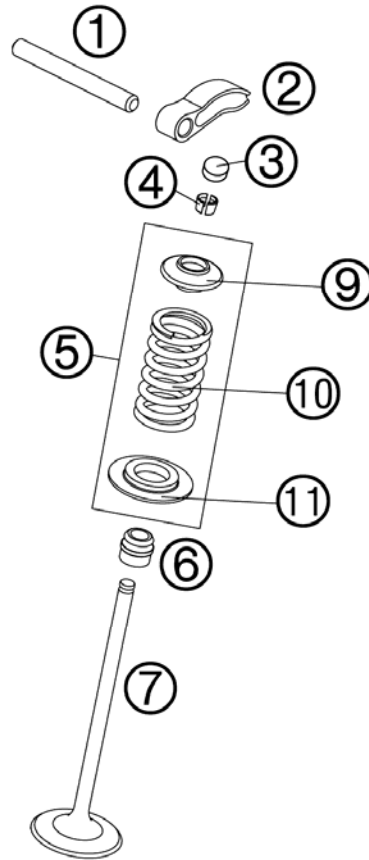
057703501 / C067703505

* NEW PART

X AS REQUIRED



EXHAUST



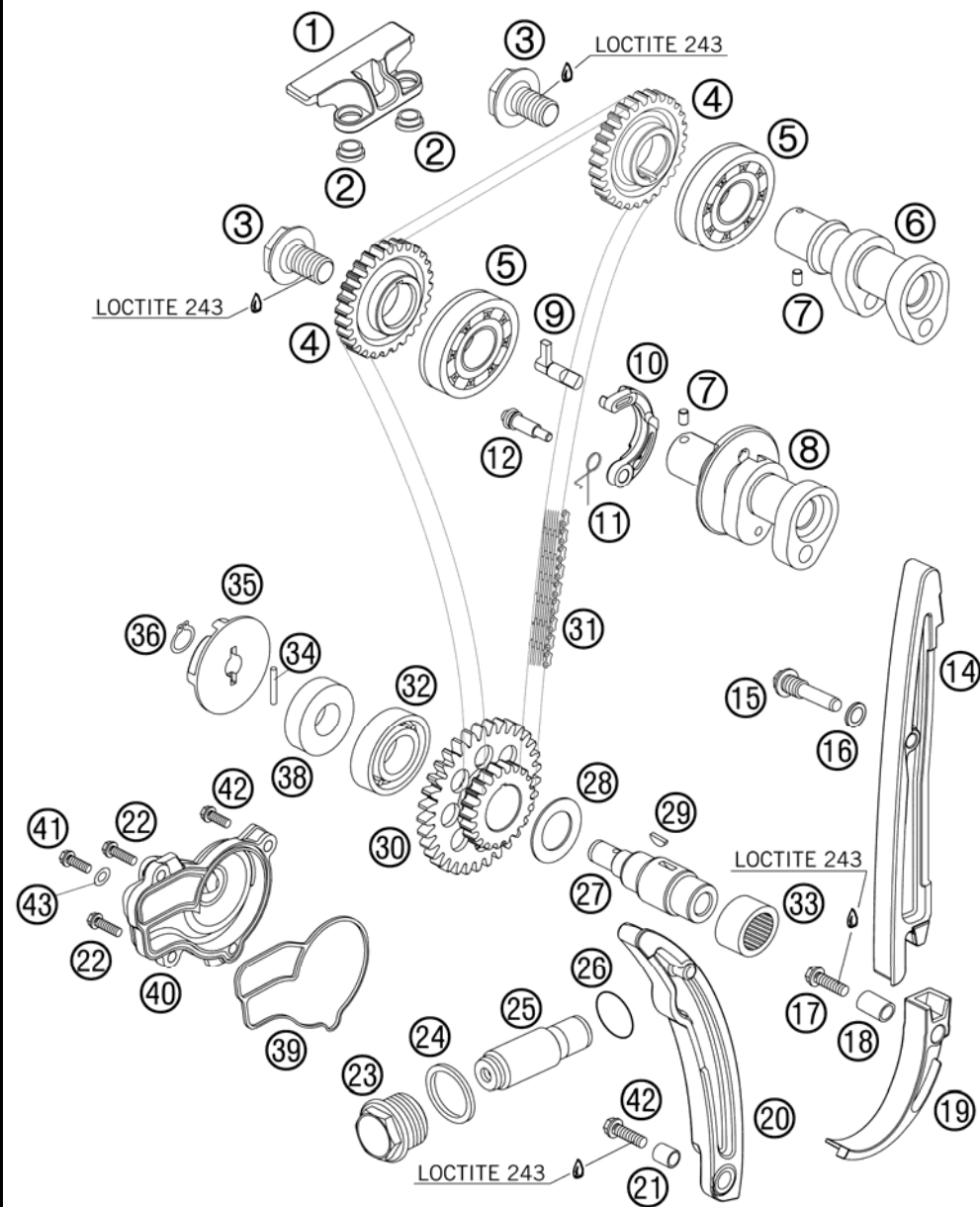
INTAKE

| FIG | PART NUMBER | DESCRIPTION | | QTY |
|-----|-------------|-----------------------|----|-----|
| 1 | 77036056000 | VALVE LEVER SHAFT | 05 | 2 |
| 2 | 77036060000 | VALVE LEVER | 05 | 4 |
| 3 | 77036035172 | SHIM D=8,9/1,72 | | x |
| 3 | 77036035176 | SHIM D=8,9/1,76 | | x |
| 3 | 77036035180 | SHIM D=8,9/1,80 | | x |
| 3 | 77036035184 | SHIM D=8,9/1,84 | | x |
| 3 | 77036035188 | SHIM D=8,9/1,88 | | x |
| 3 | 77036035192 | SHIM D=8,9/1,92 | | x |
| 3 | 77036035196 | SHIM D=8,9/1,96 | | x |
| 3 | 77036035200 | SHIM D=8,9/2,00 | | x |
| 3 | 77036035204 | SHIM D=8,9/2,04 | | x |
| 3 | 77036035208 | SHIM D=8,9/2,08 | | x |
| 3 | 77036035212 | SHIM D=8,9/2,12 | | x |
| 3 | 77036035216 | SHIM D=8,9/2,16 | | x |
| 3 | 77036035220 | SHIM D=8,9/2,20 | | x |
| 3 | 77036035224 | SHIM D=8,9/2,24 | | x |
| 3 | 77036035228 | SHIM D=8,9/2,28 | | x |
| 3 | 77036035232 | SHIM D=8,9/2,32 | | x |
| 3 | 77036035236 | SHIM D=8,9/2,36 | | x |
| 3 | 77036035240 | SHIM D=8,9/2,40 | | x |
| 3 | 77036035244 | SHIM D=8,9/2,44 | | x |
| 3 | 77036035248 | SHIM D=8,9/2,48 | | x |
| 3 | 77036035252 | SHIM D=8,9/2,52 | | x |
| 3 | 77036035256 | SHIM D=8,9/2,56 | | x |
| 3 | 77036035260 | SHIM D=8,9/2,60 | | x |
| 4 | 77036033000 | VALVE COLLET | 05 | 8 |
| 5 | 77036028044 | VALVE SPRING KIT | 05 | 4 |
| 6 | 77036027000 | VALVE-STEM SEALING | 05 | 4 |
| 7 | 77036030000 | INTAKE VALVE TITAN | 05 | 2 |
| 8 | 77036031000 | EXHAUST VALVE TITAN | 05 | 2 |
| 9 | 77036032000 | VALVE SPRING RETAINER | 05 | x |
| 10 | 77036028000 | VALVE SPRING INSIDE | 05 | x |
| 11 | 77036036000 | VALVE SPRING HOLDER | 05 | x |

057703604 / C057703604

* NEW PART

X AS REQUIRED

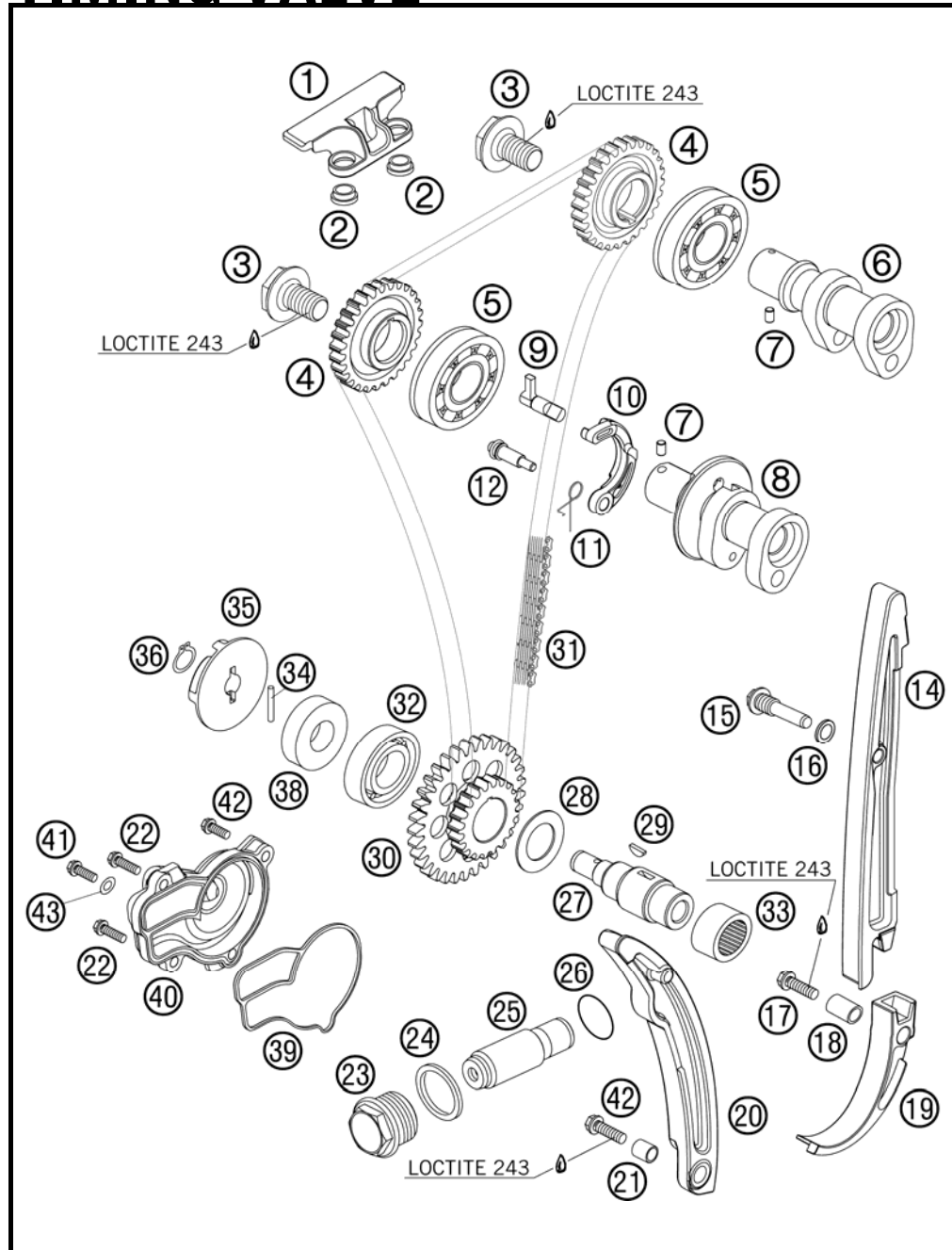


| FIG | PART NUMBER | DESCRIPTION | QTY |
|-----|-------------|-------------------------------|------|
| 1 | 77036004000 | TIMING CHAIN GUIDE TOP | 05 |
| 2 | 77036004050 | SPACER BUSHING GUIDE RAIL | 05 |
| 3 | 77036012000 | CAMSHAFT GEAR SCREW | 05 |
| 4 | 77036011100 | CAMSHAFT GEAR | 05 |
| 5 | 0625060043 | BALL BEARING 6004 NR C3 | 05 |
| 6 | 77036009100 | CAMSHAFT INTAKE | 2006 |
| 7 | 0402040600 | NEEDLE ROLLER DIN5402 NRB 4X6 | 2 |
| 8 | 77036110100 | CAMSHAFT EXHAUST | 1 |
| 9 | 77036015000 | AUTO DECOMPRESSION | 05 |
| 10 | 77036016000 | AUTO DECO WEIGHT | 05 |
| 11 | 77036017000 | SPRING FOR AUTO DECOMPR. | 05 |
| 12 | 77036019000 | BUSHING SCREW AUTODEC. M5X0,8 | 1 |
| 14 | 77036001000 | TIMING CHAIN GUIDE | 05 |
| 15 | 77036001060 | BUSHING SCREW | 06 |
| 16 | 0603082121 | SEAL RING CU DIN7603- 8X12X1 | 1 |
| 17 | 0015060253 | HH COLLAR SCREW M 6X25 WS=8 | 1 |
| 18 | 59036001050 | SPACER BUSHING 6,1X8,2X13,1 | 1 |
| 19 | 77036005000 | SECURING PROTECTION | 05 |
| 20 | 77036002000 | TIMING CHAIN TENSIONER | 05 |
| 21 | 77036001050 | SPACER BUSHING 6.1X8.2X9.1 | 05 |
| 22 | 0015060403 | HH COLLAR SCREW M 6X40 WS=8 | 2 |
| 23 | 77036008000 | CHAIN ADJUSTER HOLDING BOLT | 1 |
| 24 | 0603242920 | CU SEAL-RING DIN7603 A24X29X2 | 1 |
| 25 | 77036003000 | CHAIN ADJUSTER HYD. | 05 |
| 26 | 0770180020 | O-RING | 1 |
| 27 | 77036072000 | TIMING VALVE JACKSHAFT | 05 |
| 28 | 77036073000 | STOP DISK 18,2X30X1 | 05 |
| 29 | 0888030037 | WOODRUFF KEY DIN6888-3X3,7 | 1 |
| 30 | 77036076100 | TIMING VALVE TWIN WHEEL | 05 |
| 31 | 77036013000 | TIMING CHAIN IWIS 108 ROLLS | 1 |
| 32 | 0625062035 | BALL BEARING 6203 JR2 C3 | 1 |
| 33 | 0618182412 | NEEDLE BEAR.HK1812 18/24/12 | 05 |
| 34 | 0402031780 | NEEDLE ROL.DIN5402 NRB 3X17,8 | 1 |
| 35 | 77035055000 | WATER PUMP ROTOR | 05 |
| 36 | 0471100010 | CIRCLIP DIN0471-10X1 | 1 |
| 38 | 0760123072 | SHAFT SEAL RING 12X30X7 VITON | 1 |

057703605 / C067703606

* NEW PART

X AS REQUIRED

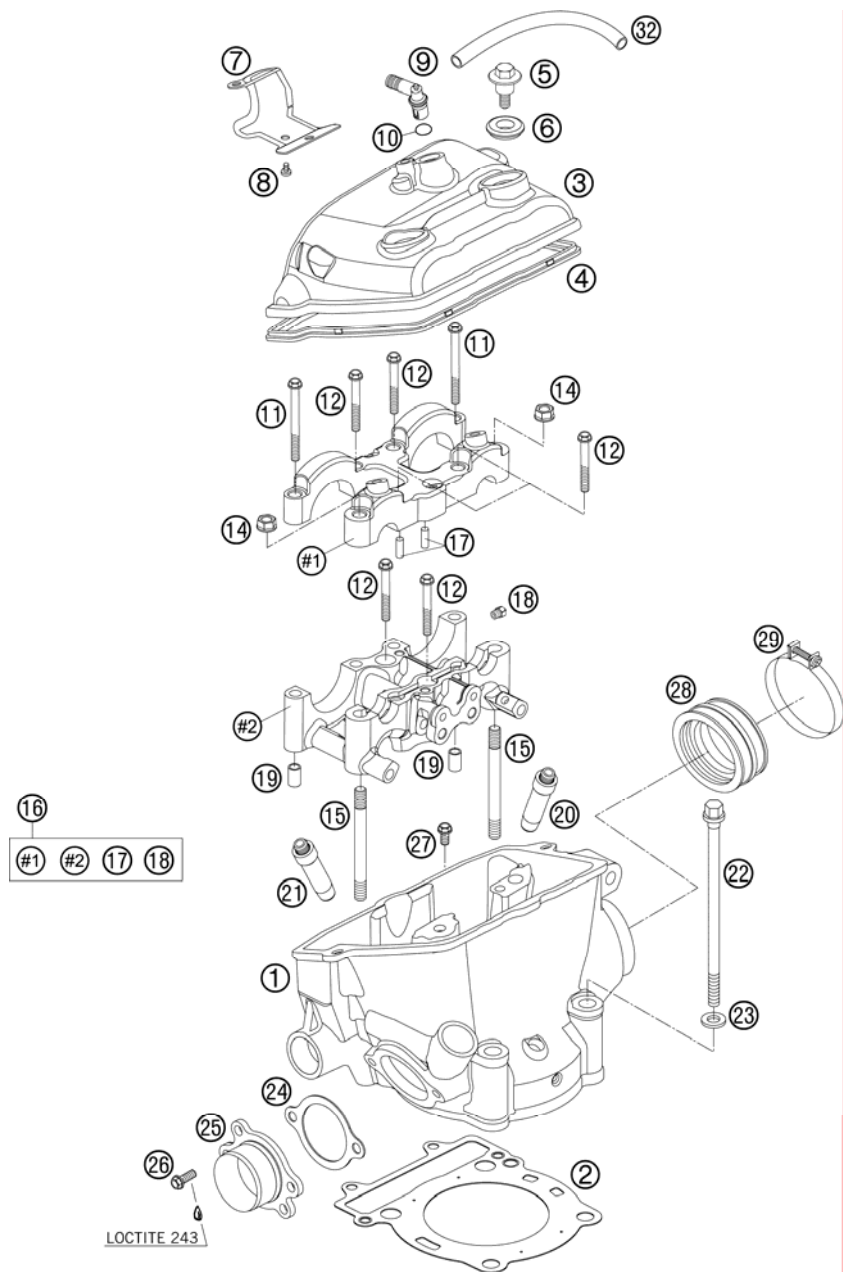


| FIG | PART NUMBER | DESCRIPTION | QTY |
|-----|-------------|-----------------------------|-----|
| 39 | 77035053000 | MOLDED RING WATER PUMP 05 | 1 |
| 40 | 77035052000 | WATER PUMP COVER 05 | 1 |
| 41 | 0015060303 | HH COLLAR SCREW M 6X30 WS=8 | 1 |
| 42 | 0015060203 | HH COLLAR SCREW M 6X20 WS=8 | 2 |
| 43 | 0603061001 | CU-SEAL RING DIN7603-6X10X1 | 1 |

057703605 / C067703606

* NEW PART

X AS REQUIRED

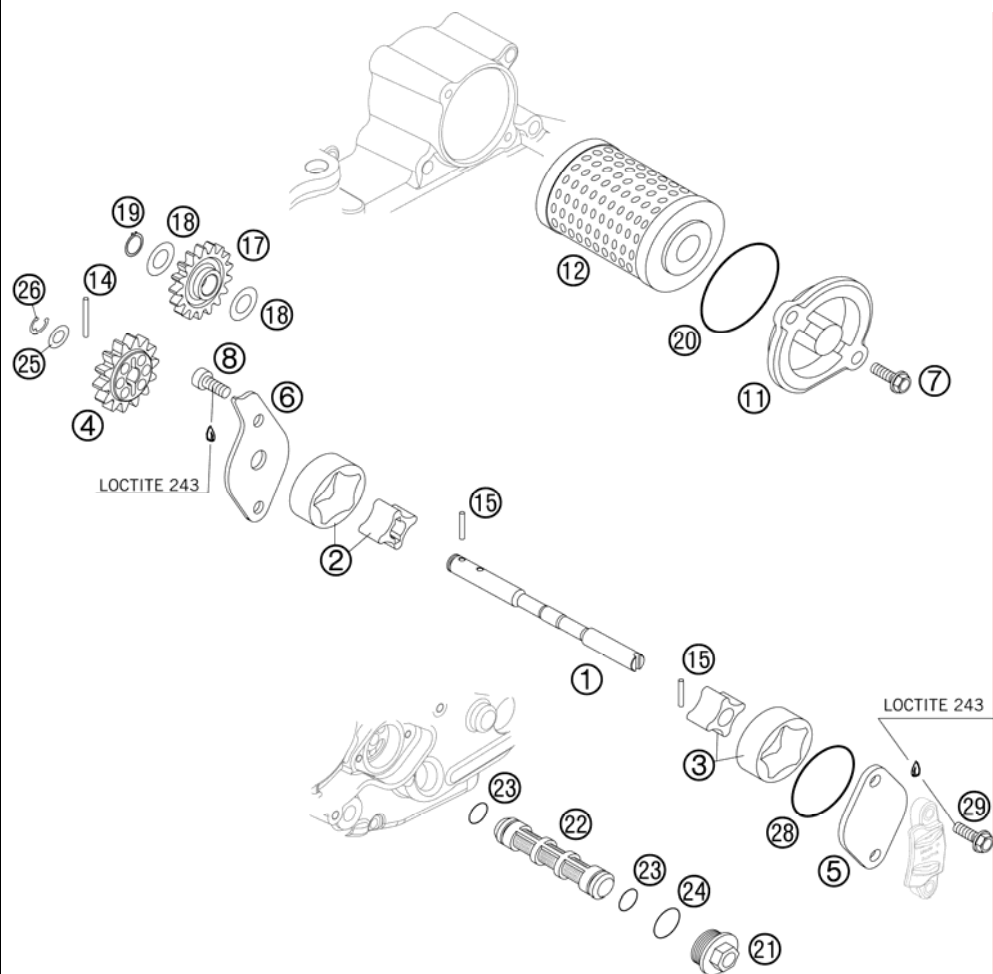


| FIG | PART NUMBER | DESCRIPTION | QTY |
|-----|-------------|-------------------------------|-----|
| 1* | 77036020144 | CYLINDER HEAD CPL. | 1 |
| 2 | 77030036000 | CYLINDER HEAD GASKET | 05 |
| 3 | 77036052100 | VALVE COVER | 06 |
| 4 | 77036053000 | VALVE COVER GASKET | 05 |
| 5 | 77036055000 | VALVE COVER SCR. M6X12 WS10 | 05 |
| 6 | 77036054050 | RUBBER GASKET FOR SCREW | 05 |
| 7 | 77036052050 | COVER PLATE BREATHER | 05 |
| 8 | 0009050103 | SPECIAL SCREW M 5,0X10 | 2 |
| 9 | 60038082000 | ANGLE CONNECTOR LC8 | 03 |
| 10 | 0770080020 | O-RING 8X2 SILICONE | 1 |
| 11 | 77036081000 | SPECIAL SCREW M7X73 WS 10 | 2 |
| 12 | 77036080000 | SPECIAL SCREW M7X40 WS10 | 6 |
| 14 | 77036024000 | COLLAR NUT 7X1 | 05 |
| 15 | 77036023000 | STUD 7X1 | 05 |
| 16 | 77036020150 | BUSH SUPPORT A.BRIDGE CPL '05 | 1 |
| 17 | 0402050980 | NEEDLE ROLLER DIN5402 5X9,8 | 2 |
| 18 | 60030063050 | OIL JET 50 | 05 |
| 19 | 77036090000 | DOWEL(BUSH BRIDGE)7/9/8 | 05 |
| 20 | 77036025101 | VALVE GUIDE INTAKE | 2 |
| 21 | 77036026001 | VALVE GUIDE OUTLET | 2 |
| 22 | 77036079000 | CYLINDER HEAD SCREW | 05 |
| 23 | 59036090000 | WASHER 10,8X18,8X1,5 | 4 |
| 24 | 77036041000 | GASKET EXHAUST FLANGE | 06 |
| 25 | 77036039000 | EXHAUST FLANGE CPL. | 05 |
| 26 | 0015060203 | HH COLLAR SCREW M 6X20 WS=8 | 2 |
| 27 | 0015060253 | HH COLLAR SCREW M 6X25 WS=8 | 2 |
| 28 | 77036044000 | INTAKE BOOT | 06 |
| 29 | 59030061000 | CLAMP D=56MM B=9MM M4X25 | 1 |
| 32 | 77031050000 | ENGINE BREATHER TUBE | 1 |

057703603 / C077703605

* NEW PART

X AS REQUIRED

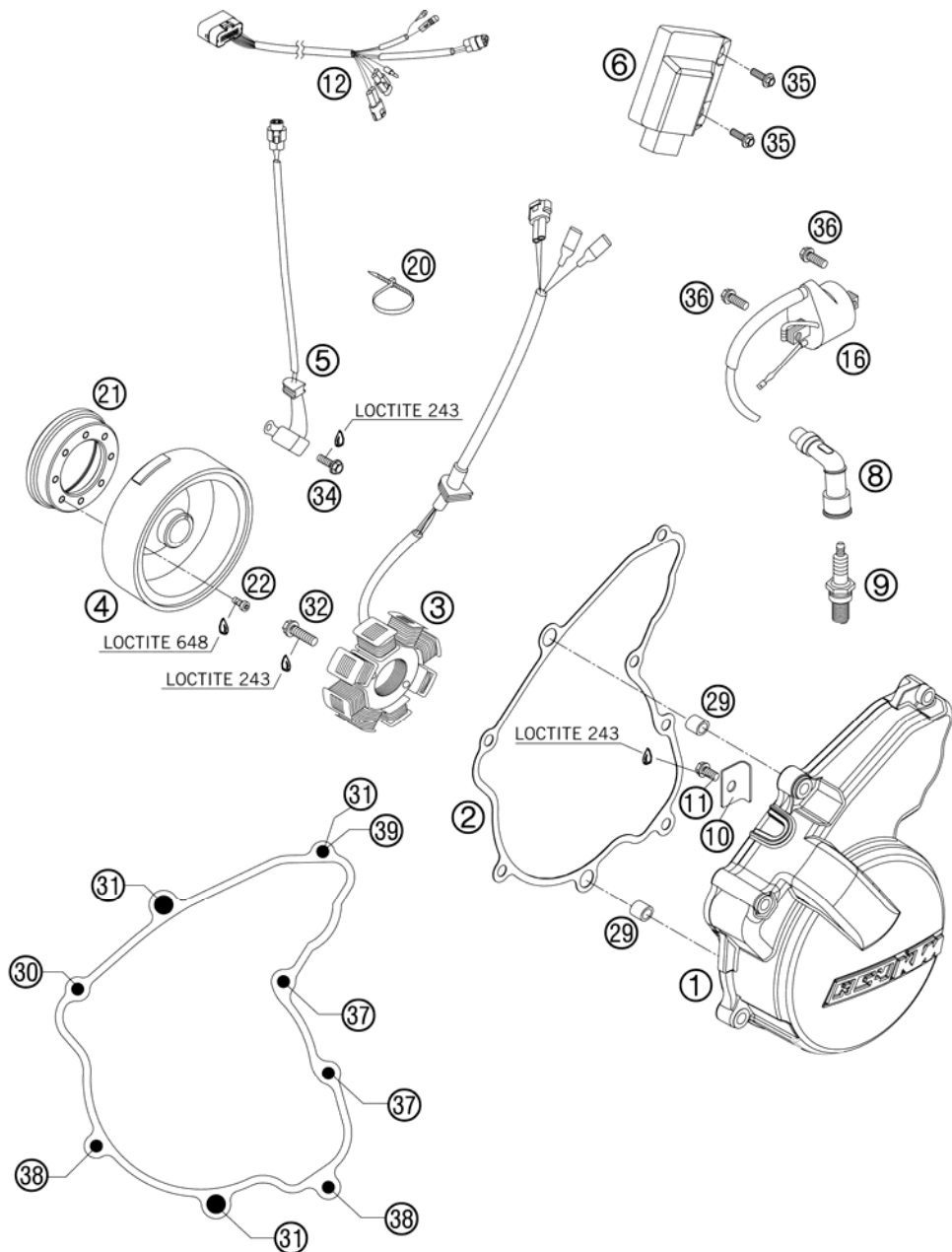


| FIG | PART NUMBER | DESCRIPTION | QTY |
|-----|-------------|--------------------------------|-----|
| 1 | 77038102000 | OIL PUMP SHAFT EXC-F | 1 |
| 2 | 59038011010 | OILPUMP ROTOR CPL. 10MM G-73R | 1 |
| 3 | 77038011000 | OILPUMP ROTOR 15MM G-164 | 1 |
| 4 | 77038001000 | OIL PUMP GEAR 14T 05 | 1 |
| 5 | 77038004000 | OIL PUMP COVER L/S 05 | 1 |
| 6 | 77038003100 | OIL PUMP COVER R/S 05 | 1 |
| 7 | 0015050163 | HH COLLAR SCREW M 5X16 WS=8 | 2 |
| 8 | 0984050122 | AH SCREW DIN6912-M 5X12 | 2 |
| 11 | 59038041000 | OIL FILTER COVER RACING | 1 |
| 12 | 77038005000 | OIL FILTER 06 | 1 |
| 14 | 0402251980 | NEEDLEROL.DIN5402 NRA 2,5X19,8 | 1 |
| 15 | 0402251180 | NEEDLE ROLLER DIN5402 2,5X11,8 | 2 |
| 17 | 77038006000 | OILPUMP IDLER GEAR 17T. 05 | 1 |
| 18 | 0988121805 | SHIM WASHER DIN0988-12X18X0,50 | 4 |
| 19 | 0471120010 | CIRCLIP DIN0471-12X1 | 1 |
| 20 | 0770400025 | O-RING 40,00X2,50 NBR 70 | 1 |
| 21 | 59038017000 | PLUG M20X1,5 WS=13 | 1 |
| 22 | 59038016000 | OIL SCREEN 15X83MM | 1 |
| 23 | 0770125015 | O-RING 12,5X1,5 NBR | 2 |
| 24 | 0770020170 | O-RING 17,17X1,78 GLO | 1 |
| 25 | 58038007755 | STOP DISK 8,1 X 15 X 0,5 | 1 |
| 26 | 0799060000 | TAB WASHER DIN6799-RS 6,0 | 1 |
| 28 | 0770320020 | O-RING 32,00X2,00 | 1 |
| 29 | 0015050203 | HH COLLAR SCREW M 5X20 WS=8 | 2 |

067703805 / C067703805

* NEW PART

X AS REQUIRED

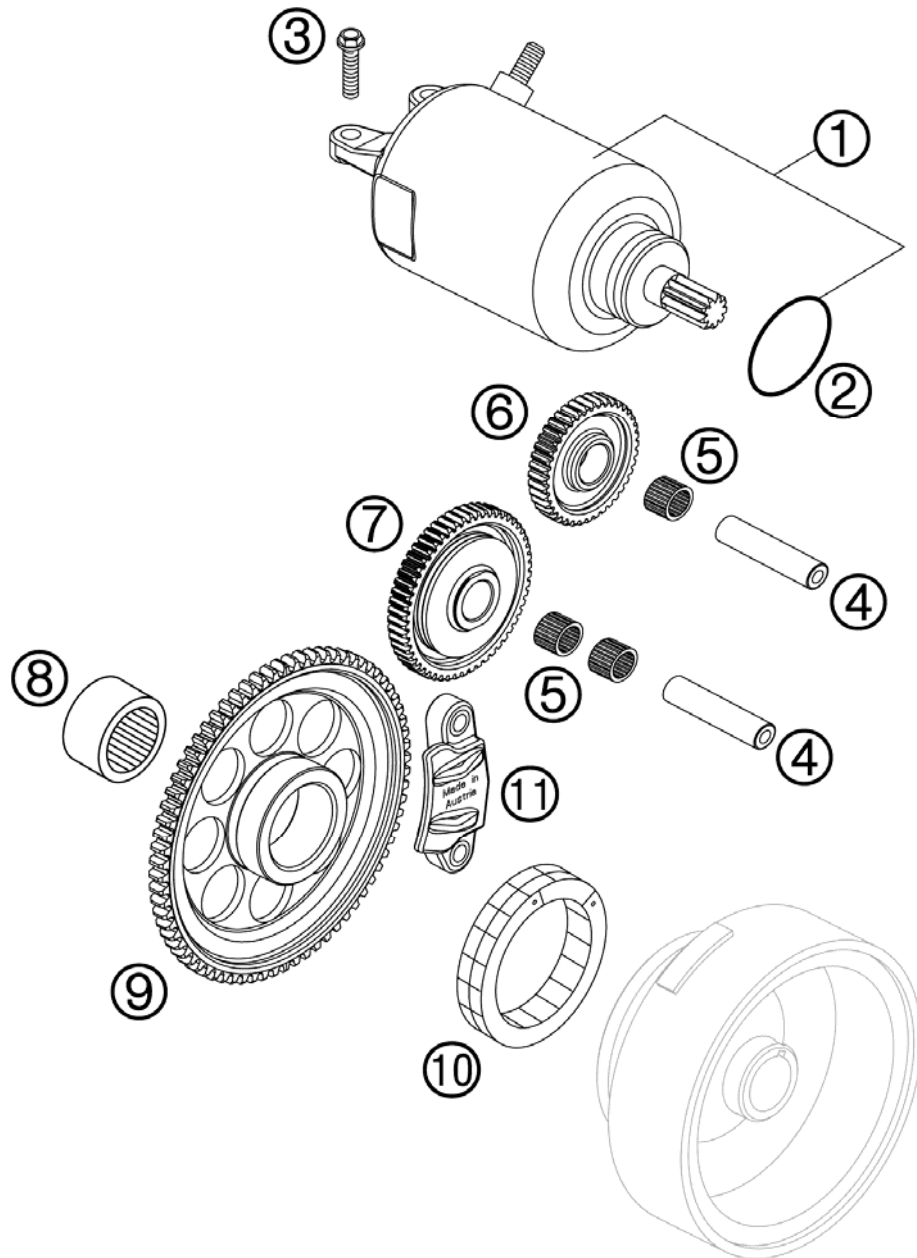


| FIG | PART NUMBER | DESCRIPTION | QTY |
|-----|-------------|-------------------------------|-----|
| 1 | 77030102000 | IGNITION COVER EXC-F | 1 |
| 2 | 77030140000 | IGNITION COVER GASKET EXC-F | 1 |
| 3 | 77039104000 | STATOR 2007 | 1 |
| 4 | 77039105100 | FLYWHEEL | 1 |
| 5 | 59039034000 | PULSER COIL KOKUSAN 4K3-A/B | 1 |
| 6* | 77039131100 | CDI UNIT 250 EXC-F 07 | 1 |
| 8 | 59039090100 | SPARK PLUG CONNECT. VD05EG 03 | 1 |
| 9 | 77039093000 | SPARK PLUG NGK CR9EKB '05 | 1 |
| 10 | 77030002050 | WIRE RETAINING BRACKET 06 | 1 |
| 11 | 0015060083 | HH COLLAR SCREW M 6X8 WS=8 | 1 |
| 12 | 59439032100 | WIRING HARNESS FOR CDI EXC 04 | 1 |
| 16 | 59039006000 | IGNITIONCOIL KOKUSAN 4K3-A/B | 1 |
| 20 | 44011076100 | CABLE TIE 100/2,5MM BLACK | x |
| 21 | 77040025000 | FREEWHEEL HUB | 1 |
| 22 | 00120500810 | AH SCREW DIN6912-M5X8 10.9 | 8 |
| 29 | 49030090000 | DOWEL 9,8 X 7 X 10 | 2 |
| 30 | 0015060503 | HH COLLAR SCREW M 6X50 WS=8 | 1 |
| 31 | 0015060303 | HH COLLAR SCREW M 6X30 WS=8 | 3 |
| 32 | 0015060203 | HH COLLAR SCREW M 6X20 WS=8 | 2 |
| 34 | 0015050163 | HH COLLAR SCREW M 5X16 WS=8 | 2 |
| 35 | 0014060103 | HH COLLAR SCREW M 6X10 WS=8 | 2 |
| 36 | 0015060163 | HH COLLAR SCREW M 6X16 WS=8 | 2 |
| 37 | 0015060253 | HH COLLAR SCREW M 6X25 WS=8 | 2 |
| 38 | 0015060953 | HH COLLAR SCREW M 6X95 WS=8 | 2 |
| 39 | 0603061001 | CU-SEAL RING DIN7603-6X10X1 | 1 |

067703905 / C077703905

* NEW PART

X AS REQUIRED



| FIG | PART NUMBER | DESCRIPTION | QTY |
|-----|-------------|------------------------------|-----|
| 1 | 77040001000 | E-STARTER ENGINE 2007 | 1 |
| 2 | 0770250030 | O-RING 25,00X3,00 NBR 70 | 1 |
| 3 | 0015060203 | HH COLLAR SCREW M 6X20 WS=8 | 2 |
| 4 | 59040029000 | BEARING BOLT | 2 |
| 5 | 0405101310 | NEEDLE BEARING K 10X13X10 02 | 3 |
| 6 | 77040022000 | INTERMEDIATE GEAR 36T 06 | 1 |
| 7 | 77040016000 | TORQUE LIMITER CPL. 06 | 1 |
| 8 | 58033097000 | NEEDLE BEARING HK 2216 | 1 |
| 9 | 77040020000 | FREE WHEEL GEAR | 1 |
| 10 | 80040026000 | FREE WHEEL 03 | 1 |
| 11 | 77040027000 | HOLDER FREE WHEEL GEAR 06 | 1 |

067704005 / C067704005

* NEW PART

X AS REQUIRED







KTM-Sportmotorcycle AG
A-5230 Mattighofen
www.ktm.at

KTM Group Partner



3CM089311GEN



Art.Nr.: 3CM089311GEN 4/2006